

## NRS Resilient Seated Gate Valve

**FIG.3283-BS5163**  
**FIG.3286/3246-DIN3352 F4**

### Specification

- Fig.3286 size: DN50 to DN300,
- Fig.3246 size: DN350 to DN800.
- Triple O-Ring stem seal.
- Flange and drilling complies with EN1092-2 PN10 or PN16. (other flange types available upon request)
- Face to face dimension:  
Fig.3283 complies with EN558-1 basic series 3.  
Fig.3286/3246 comply with DIN 3202 series F4.

### Working Pressure and Temperature

- 10bar/16bar rated at -10°C to 120 °C.

### Corrosion Protection

- Internally and externally fusion bonded epoxy powder coated

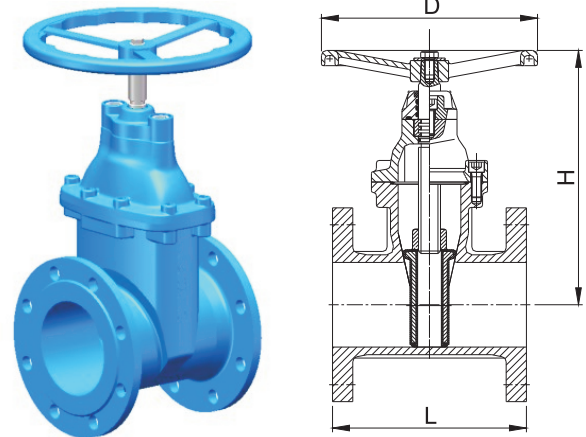
### Options

- Available with 25bar.
- Stainless steel 304 stem.
- Stainless steel fasteners: SS304.
- Available with handwheel, operating nut or gearbox. ( bevel gearbox or spur gearbox )
- Size 50 to 600 with handwheel or operating nut, Size 350 and above with Gearbox.

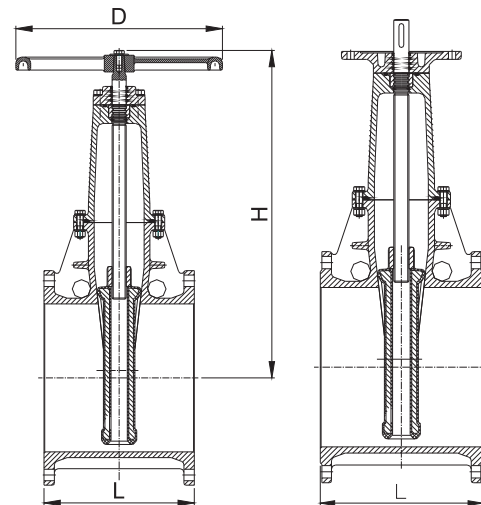
### Material Specification

Part Name	Material	EN Specification
Body	Ductile Iron	EN 1563, GJS-450-10
Bonnet	Ductile Iron	EN 1563, GJS-450-10
Wedge	EPDM Fully Encapsulated Ductile Iron Wedge	
Thrust Collar	Bronze	EN1982,CuAl10Fe3
Wedge Nut	Bronze	EN1982,CuAl10Fe3
Stem	Stainless Steel	EN 10088, X20Cr13
O-Ring	Rubber	EN681 NBR
Gasket	Rubber	EN681 EPDM
Gland	Ductile Iron	EN 1563, GJS-450-10
Operating Nut	Ductile Iron	EN 1563, GJS-450-10
Handwheel	Ductile Iron	EN 1563, GJS-450-10
Fasteners	Carbon Steel	Grade 4.8

### Schematic



Size 50 to 300



Size 350 and above

### Dimensions

Size		DN50	DN65	DN80	DN100	DN125	DN150	DN200	DN250
L	BS 5163	178	191	203	229	254	267	292	330
	DIN 3352 F4	150	170	180	190	200	210	230	250
H		240	255	280	305	380	417	525	621
D		175	175	255	255	305	305	355	405

Size		DN300	DN350	DN400	DN450	DN500	DN600	DN700	DN800
L	BS 5163	356	-	-	-	-	-	-	-
	DIN 3352 F4	270	290	310	330	350	390	430	470
H		711	905	980	1115	1190	1340	1540	1712
D		405	558	558	610	610	762	-	-

### Notes

- Designs, materials and specifications shown are subject to change without notice due to the continuous development of our products.