

JIS 10K

SWING CHECK VALVE

Bolted cover, disc.

Designed to JIS B2031

Fig. 10FCO

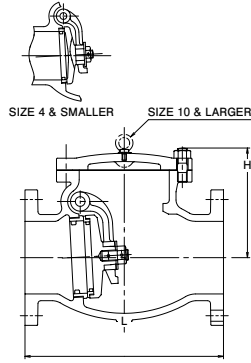
- Bronze trim

Fig. 10FCOS

- Stainless steel trim (13 Cr.)

Fig. 10FCOU

- Stainless steel trim (18-8)



Materials

Parts	Material	JIS Spec.		
		10FCO	10FCOS	10FCOU
Body	Cast Iron	FC200		
Cover	Cast Iron	FC200		
Disc	1 1/2 to 4	Cast Bronze/Stainless Steel	CAC406	403SS 304SS
	5 & larger	Cast Iron	FC200	
Hinge pin	Forged Brass/Stainless Steel	C3771	403SS	304SS
Disc seat ring	Cast Bronze/Stainless Steel	CAC406	403SS	304SS
Body seat ring	Cast Bronze	CAC406	403SS	304SS
Arm	Stainless Steel	A351 Gr.CF8/SCS13A		
Gasket	Soft Steel			
Cover bolt/nut	Carbon Steel			

For JIS Valves Pressure-Temperature Ratings MPa, refer to page 2.

Dimensions

Valve Size	B	A	1 1/2*	2	2 1/2	3	4	5	6	8	10*	12*	14*	mm
L Face-to-face			190	200	220	240	290	360	410	500	620	700	787	
H Height			106	111	121	145	165	207	225	268	315	356	381	

Only 12* & 14* for 10FCOS & 10FCOU. *No JIS Mark

CLASS 125

SWING CHECK VALVE

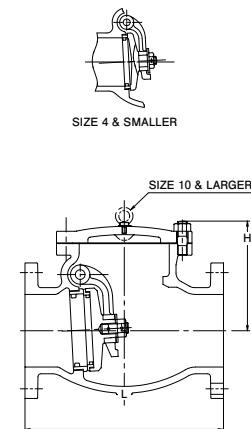
Bolted cover, disc.

Fig. 125FCO

- Bronze trim

Fig. 125FCOS

- Stainless steel trim (13 Cr.)



Materials

Parts	Material	ASTM Spec.	
		125FCO	125FCOS
Body	Cast Iron	FC200	
Cover	Cast Iron	FC200	
Disc	2 to 4	Cast Bronze/Stainless Steel	CAC406 403SS
	5 & larger	Cast Iron	FC200
Hinge pin	Forged Brass/Stainless Steel	C3771	403SS
Disc seat ring	Cast Bronze/Stainless Steel	CAC406	403SS
Body seat ring	Cast Bronze/Stainless Steel	CAC406	403SS
Arm	Stainless Steel	A351 Gr.CF8/SCS13A	
Gasket	Soft Steel		
Cover bolt/nut	Carbon Steel		

For Class 125 Valves Pressure-Temperature Ratings, refer to page 2.

Dimensions

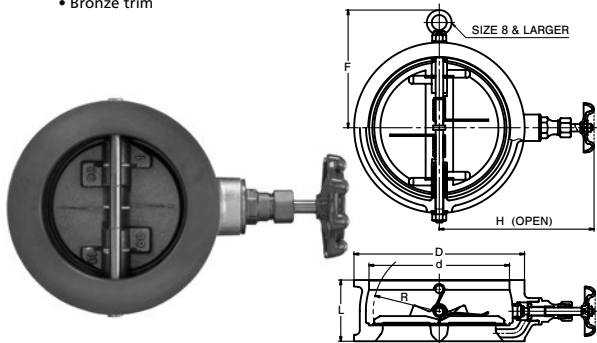
Valve Size	NPS	DN	2	2 1/2	3	4	5	6	8	10	12	14	mm
L Face-to-face			203	216	241	292	330	356	495	622	698	787	
H Height (OPEN)			111	121	145	165	207	225	268	315	356	381	

10K

WAFER TYPE CHECK VALVE

Fig. 10FWZ

- Bronze trim



Materials

Parts	Material	JIS Spec.
Body	Cast Iron	FC250+NBR
Pin	Stainless Steel	304SS
Disc	Bronze	CAC406
Nut	Stainless Steel	304SS
Plug	Carbon Steel	S45CH

Bypass Valve

Parts	Material	JIS Spec.
Bonnet	11/2 to 5 Brass	C3771
	6 to 18 Bronze	CAC406
Stem	Brass	C3531
Disc	Brass	C3531
Body seat ring	Brass	C3531
Grand packing	Asbestos-free	

Design Specifications

Items	
Shell wall thickness and general valve design	KITZ Standard
Face-to-face dimensions, end-to-end dimensions	KITZ Standard
End flange dimensions, gasket contact facing	Wafer Type (JIS 10K)

80°C Non-shock water: 1.4 MPa

80°C Water, oil, air: 1.0 MPa

Dimensions

Valve Size	mm													
	B A	1 1/2	2	2 1/2	3	4	5	6	8	10	12	14	16	18
L	—	40	50	65	80	100	125	150	200	250	300	350	400	450
H Height (OPEN)	—	54	56	56	59	66	72	78	96	109	145	184	191	204
F	—	128	143	150	156	169	183	216	243	290	315	330	355	388
D	—	—	—	—	—	—	—	—	187	229	254	272	301	338
d	—	86	101	121	131	156	187	217	267	330	375	420	483	538
d	—	54	63	77	90	116	143	169	220	273	324	356	406	457
R	—	26	33	37	44	55	67	78	105	129	155	170	195	220