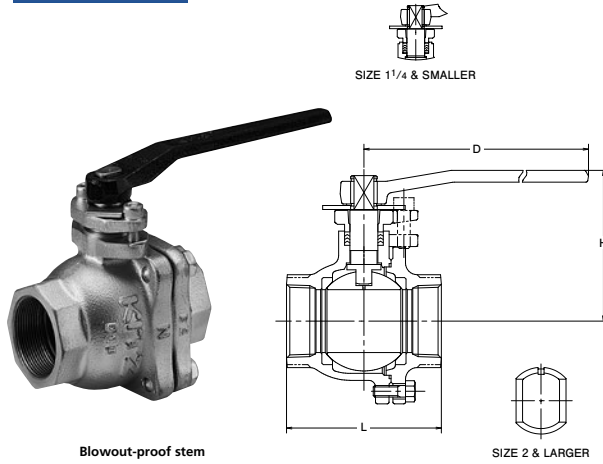


10K

THREADED BALL VALVE (Full Bore)

Fig. 10FCT



Materials

Parts	Material	JIS Spec.
Body	Cast Iron	FC200
Body cap	Cast Iron	FC200
Stem	Stainless Steel	4035S
Ball	Stainless Steel	3045S
Grand packing	PTFE	
Gasket	PTFE	
Ball seat	PTFE	
Cap bolt/nut	Carbon Steel	
Handle	Ductile Iron	FCD400-15

Design Specifications

Items	
Shell wall thickness and general valve design	KITZ Standard
Face-to-face dimensions, end-to-end dimensions	KITZ Standard
Threaded ends	JIS B0203

For Pressure-Temperature Ratings, refer to individual catalog(No.E-201).

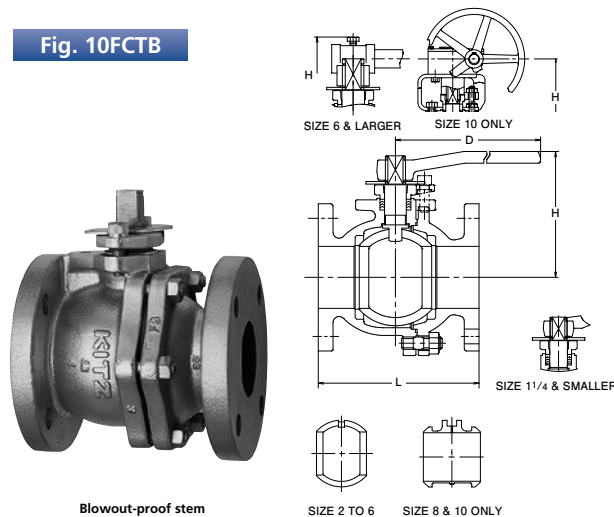
Dimensions

Valve Size	B	3/8	1/2	3/4	1	1 1/4	1 1/2	2	2 1/2	3	mm
L Face-to-face	A	10	15	20	25	32	40	50	65	80	
H Height		72	80	85	95	120	120	140	160	182	
D Handle		71	102	105	125	130	115	120	155	165	
		130	130	130	160	160	230	230	400	400	

10K

BALL VALVE (Full Bore)

Fig. 10FCTB



Materials

Parts	Material	JIS Spec.
Body	Cast Iron	FC200
Body cap	Cast Iron	FC200
Stem	Stainless Steel	4035S
Ball	Stainless Steel	3045S
Grand packing	PTFE	
Gasket	PTFE	
Ball seat	PTFE	
Cap bolt/nut	Carbon Steel	
Handle	Ductile Iron	FCD400-15

Design Specifications

Items	
Shell wall thickness and general valve design	KITZ Standard
Face-to-face dimensions, end-to-end dimensions	KITZ Standard
End flange dimensions, gasket contact facing	JIS B2239 10K

For Pressure-Temperature Ratings, refer to individual catalog(No.E-201).

Dimensions

Valve Size	B	1/2	3/4	1	1 1/4	1 1/2	2	2 1/2	3	4	5	6	8	10	mm
L Face-to-face	A	15	20	25	32	40	50	65	80	100	125	150	200	250*	
H Height		102	105	124	128	114	121	154	163	199	219	292	352	477	
D Handle		130	130	160	160	230	230	400	400	460	460	1000	1500	-	

\*Note: Gear Operated. Contact KITZ or KITZ distributors for details.

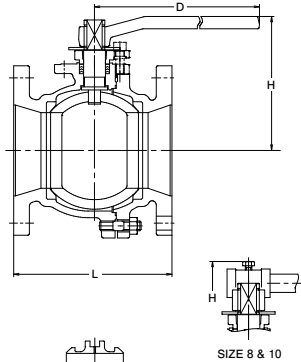
10K

BALL VALVE (Reduced Bore)

Fig. 10FCTR



Blowout-proof stem



SIZE 10 ONLY

Materials

Parts	Material	JIS Spec.
Body	Cast Iron	FC200
Body cap	Cast Iron	FC200
Stem	Stainless Steel	403SS
Ball	Stainless Steel	304SS
Grand packing	PTFE	
Gasket	PTFE	
Ball seat	PTFE	
Cap bolt/nut	Carbon Steel	
Handle	Ductile Iron	FCD400-15

Design Specifications

Items	
Shell wall thickness and general valve design	KITZ Standard
Face-to-face dimensions, end-to-end dimensions*	JIS B2002
End flange dimensions, gasket contact facing	JIS B2239 10K

\*Nominal size 5, shall not be in accordance with JIS B2002

For Pressure-Temperature Ratings, refer to individual catalog(No.E-201).

Dimensions

Valve Size	B	5	6	8	10	mm
	A	125	150	200	250	
L Face-to-face		250	270	290	330	
H Height		200	220	295	355	
D Handle		460	460	1000	1500	

\*No JIS Mark

10K

3-WAY BALL VALVE (Full or Reduced Bore)

Fig. 10FCTB2L

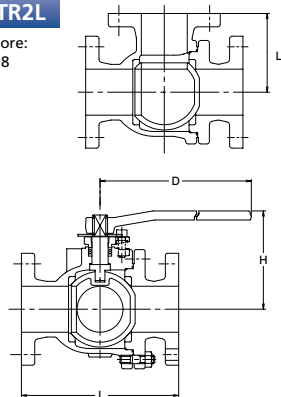
• Full Bore:  
Size 1 1/2 to 4



Blowout-proof stem

Fig. 10FCTR2L

• Reduced Bore:  
Size 5 to 8



Materials

Parts	Material	JIS Spec.
Body	Cast Iron	FC200
Body cap	Cast Iron	FC200
Stem	Stainless Steel	403SS
Ball	Stainless Steel	304SS
Grand packing	PTFE	
Gasket	PTFE	
Ball seat	PTFE	
Cap bolt/nut	Carbon Steel	
Handle	Ductile Iron	FCD400-15

Note:

- Flow is between Ports "A" and "C" in Form 1. Flow is between Ports "B" and "C" in Form 2. Flow paths in Form 1 and Form 2 can be exchanged with each other.
- When the fluid pressure P2 in the closed path is higher than P1 in the open path, a little fluid leakage may occur in P1 through the ball seat of the closed path.

Design Specifications

Items	
Shell wall thickness	JIS B2031
Face-to-face dimensions, end-to-end dimensions	KITZ Standard
End flange dimensions, gasket contact facing	JIS B2239 10K

For Pressure-Temperature Ratings, refer to individual catalog(No.E-201).

Dimensions

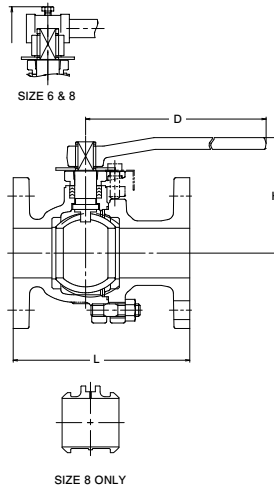
Valve Size	B	1 1/2	2	2 1/2	3	4	5	6	8	mm
	A	40	50	65	80	100	125	150	200	
L Face-to-face		210	220	250	260	330	370	430	540	
L1		105	110	125	130	165	185	215	270	
H Height		115	120	155	165	200	205	225	295	
D Handle		230	230	400	400	460	460	460	1000	

## CLASS 125 BALL VALVE (Full Bore)

Fig. 125FCTB



Blowout-proof stem



### Materials

Parts	Material	ASTM Spec.
Body	Cast Iron	A126 CL. B
Body cap	Cast Iron	A126 CL. B
Stem	Stainless Steel	403SS
Ball	Stainless Steel	304SS
Grand packing	PTFE	
Gasket	PTFE	
Ball seat	PTFE	
Cap bolt/nut	Carbon Steel	
Handle	Ductile Iron	

### Design Specifications

Items	
Shell wall thickness and general valve design	KITZ Standard
Face-to-face dimensions, end-to-end dimensions	ASME B16.10 Class150
End flange dimensions, gasket contact facing	ASME B16.1 Class125

For Pressure-Temperature Ratings, refer to individual catalog(No.E-201).

### Dimensions

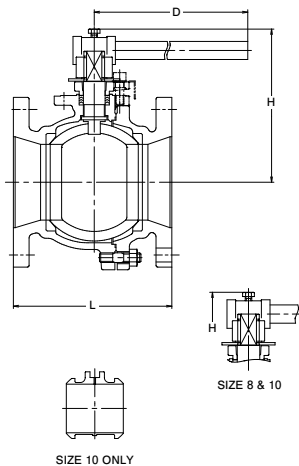
Valve Size	NPS	2	2½	3	4	6	8	mm
	DN	50	65	80	100	150	200	
L	Face-to-face	178	190	203	229	394	457	
H	Height	120	155	165	200	295	355	
D	Handle	230	400	400	460	1000	1500	

## CLASS 125 BALL VALVE (Reduced Bore)

Fig. 125FCTR



Blowout-proof stem



### Materials

Parts	Material	ASTM Spec.
Body	Cast Iron	A126 CL. B
Body cap	Cast Iron	A126 CL. B
Stem	Stainless Steel	403SS
Ball	Stainless Steel	304SS
Grand packing	PTFE	
Gasket	PTFE	
Ball seat	PTFE	
Cap bolt/nut	Carbon Steel	
Handle	Ductile Iron	

### Design Specifications

Items	
Shell wall thickness and general valve design	KITZ Standard
Face-to-face dimensions, end-to-end dimensions	ASME B16.10 Class150
End flange dimensions, gasket contact facing	ASME B16.1 Class125

For Pressure-Temperature Ratings, refer to individual catalog(No.E-201).

### Dimensions

Valve Size	NPS	6	8	10	mm
	DN	150	200	250	
L	Face-to-face	267	292	330	
H	Height	220	295	355	
D	Handle	460	1000	1500	