

Grooved Butterfly Valve, Gear operated

FIG. F1022-300

Specifications

- Vulcanized disc design for bubble-tight shutoff.
- Outdoor and indoor rated.
- Flag type position indicator.
- Built-in supervisory switch.
- Grooved ends dimensions meet AWWA C606 standard or other IPS pipe.
- Face to face dimension complies with MSS SP-67.

- CNPP certificated.

Working Pressure and Temperature

- 300 psi rated @ -10°C to 82°C.

Corrosion Protection

- Fusion bonded coating meet or exceed all applicable of AWWA C550 standard.

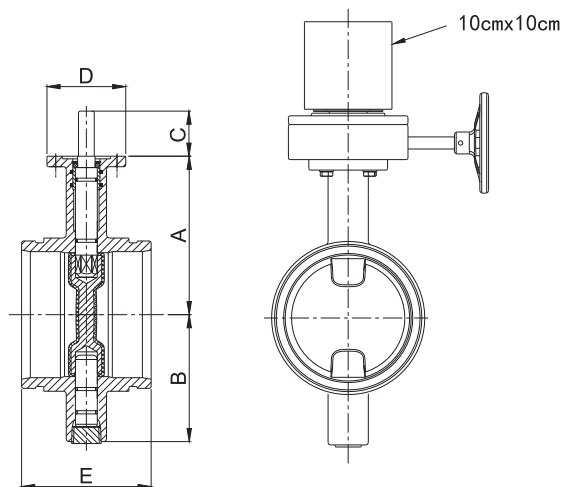
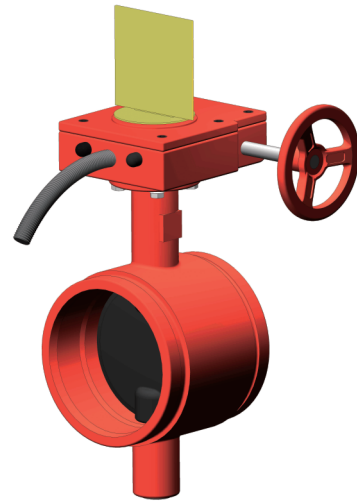
Options

- 200 psi or 250 psi rated.
- Other flange types available upon request.

Material Specifications

Part	Material	ASTM Specification
Body	Ductile Iron	EN1563 EN-GJS-450-10
Disc	EPDM fully Encapsulated Dcutile Iron Disc	
Shaft	Stainless Steel	EN10088 X17CrNi 16-2
Bushing	Brass	EN12168, CuZn39Pb3
Housing	Grey Cast Iron	EN1561 EN-GJL-250
Fasteners	Carbon Steel	EN 24017 Gr 4.8

Schematic



Main Dimensions (mm/inch)

Size	A	B	C	D	E
2	99/3.90	77/3.00	52/2.05	90/3.54	84/3.30
2.5	112/4.41	85/3.35	52/2.05		97/3.81
3	115/4.53	90/3.55	52/2.05		97/3.81
4	145/5.71	110/4.30	52/2.05		116/4.56
5	145/5.71	120/4.75	52/2.05		148/5.81
6	181/7.13	145/5.70	52/2.05		148/5.81
8	199/7.83	180/7.00	72/2.83	126/4.96	133/5.25
10	249/9.80	230/9.00	75/2.95		159/6.25
12	274/10.79	260/10.25	73/2.87		165/6.50

Notes

• Designs, materials and specifications shown are subject to change without notice due to the continuous development of our products.