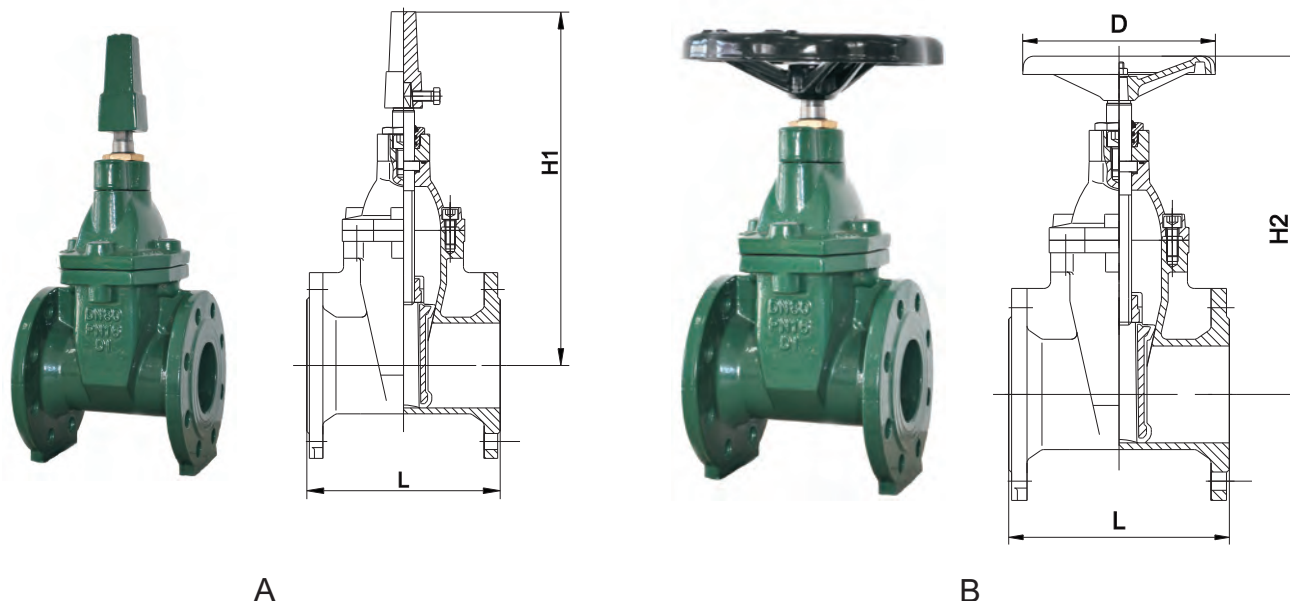


Fig. 3243



**Material Specification**

Part	Material	EN Spec.
Body	Ductile Iron	EN-JS1050
Bonnet	Ductile Iron	EN-JS1050
Disc	EPDM Coated DI	EN-JS1050
Stem	Stainless Stee 420 Stainless Stee 431	BS970 420S37 BS970 431S29
O-Ring	EPDM/NBR	Commercial
Wrench Nut	Ductile Iron	EN-JS1050
Hand Wheel	Ductile Iron	EN-JS1050

**Valve Standard :**

Comply with BS 5163 Type A&B

**Pressure Temperature Ratings**

Working pressure	16bar
Testing Pressure	Shell:24bar Seal:17.6bar
Working Temperature	-20°C to 110°C EPDM -10°C to 80°C NBR

**Dimensions**

DN	mm	50	65	80	100	125	150	200	250	300	350	400	450	500	600
	inch	2	2-1/2	3	4	5	6	8	10	12	14	16	18	20	24
L		178	190	203	229	254	267	292	330	356	381	406	432	457	508
H1		291	318	355	381	445	485	572	656	773	947	1022	1092	1171	1313
H2		210	237	274	300	364	404	497	590	667	882	956	1027	1106	1258
D		160	200	200	200	250	250	320	370	370	450	450	640	640	640