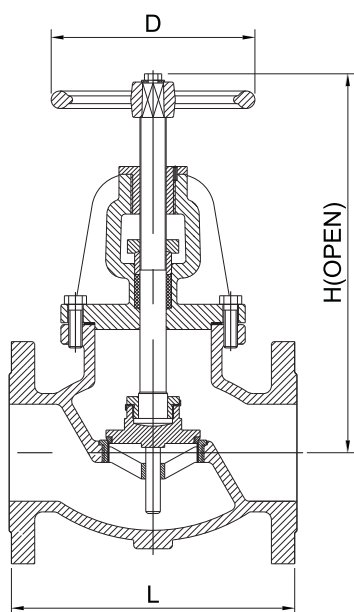


Fig. 6123



Valve Standard :

Comply with BS EN 13789 (BS 5152) /MSS SP-85
Rising Stem, outside Screw and Yoke , Epoxy coated ,
flanged to ANSI class125, BS4504 PN16

Pressure Temperature Ratings

Working pressure	16bar
Testing Pressure	Shell:24bar Seat:17.6bar
Working Temperature	-10°C to 120°C
Suitable Media	Water,Oil&Gas

Material Specification

Part	Material	ASTM	BS
Body	Cast Iron	A126 Class B	1452 Gr.220
	Ductile Iron	A536 65-45-12	1563 EN-JS1040
Bonnet	Cast Iron	A126 Class B	1452 Gr.220
	Ductile Iron	A536 65-45-12	1563 EN-JS1040
Disc	Cast Iron	A126 Class B	1452 Gr.220
	Ductile Iron	A536 65-45-12	1563 EN-JS1040
	Bronze	B62 C83600	1400 LG2
	SS 304	A351 CF-8	970 304S15
Seat Ring	Bronze	B62 C83600	1452 Gr.220
Body Ring	Bronze	B62 C83600	1452 Gr.220
Stem	Brass	B16 C36000	2874 CZ 124
	SS	A276 S42000	970 420S37
Packing	Graphite	Non-Asbestos	
Hand Wheel	Cast Iron	A126 Class B	1452 Gr.220
	Ductile Iron	A536 65-45-12	1563 EN-JS1040

Dimensions

DN	mm	50	65	80	100	125	150	200	250	300
	inch	2	2-1/2	3	4	5	6	8	10	12
L		203	216	241	292	330	356	495	622	699
H (open)		295	336	345	389	425	511	580	720	859
D		190	190	190	305	305	305	455	405	455