

Russia-Fire Hydrant

FIG. 8220

Specifications

- Meet or exceed the requirements of 53961-2010 standard.
 - Full open distance: 26mm.
 - Excellent flow characteristics.
 - Multiple buried depth configurations.
 - 13 turns from close to full open.
 - Auto-frost drain valves.
- GOST certificated.

Working Pressure and Temperature

- 10 bar @ -20°C to 80°C.

Corrosion Protection

- Liquid spray painting interior and exterior.

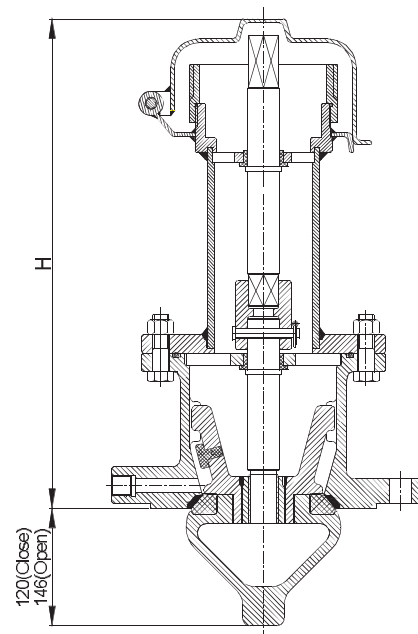
Options

- Multiple buried depth configurations.
- H=500 to 2750.

Material Specifications

Part	Material	EN Specification
Protection Cap	Carbon Steel	C22E 070M20
Nozzle	Brass	EN 12164 CuZn39Pb3
Steel Tube	Carbon Steel	C40E 080M46
Guide Sleeve	Brass	EN 12164 CuZn39Pb3
Guide Frame	Ductile Iron	EN 1563 EN-GJS-500-7
Upper Rod	Stainless Steel	EN 10088 X20Cr13
Coupling	Ductile Iron	EN 1563 EN-GJS-500-7
Hinge Pin	Carbon Steel	EN 10088 X20Cr13
Cotter Pin	Stainless Steel	EN10088 X20Cr13
Bolts and Nuts	Carbon steel, Zinc Plated	Gr 8.8
Lower Rod	Stainless Steel	EN 10088 X20Cr13
Barrel	Ductile Iron	EN 1563 EN-GJS-500-7
Disc Nut	Ductile Iron	EN 1563 EN-GJS-500-7
Sealing Seat	Rubber	EPDM, Commercial
Lower Disc	Ductile Iron	EN 1563 EN-GJS-500-7
Drain Valve Seat	Rubber	EPDM, Commercial
O-Ring	Rubber	EPDM, Commercial

Schematic



Notes

• Designs, materials and specifications shown are subject to change without notice due to the continuous development of our products.