

Double Orifice Air Relief Valve

FIG. 9709

Specifications

- Provides the functions of both Air Release and Air / Vacuum Valves.
- Exhausts large quantities of air at system start-up.
- Provides protection from pipeline collapse due to vacuum.
- Vents the accumulated small volumes of air during normal system operation.
- NPT or Metric thread of inlet.

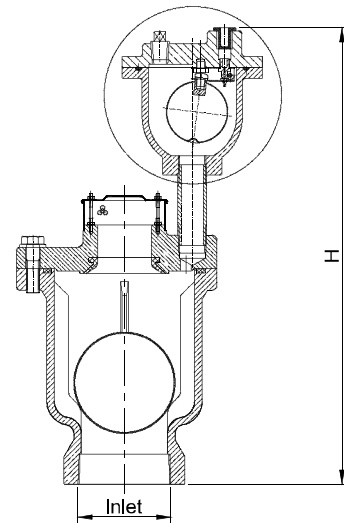
Working Pressure and Temperature

- 16 bar /250 psi rated at -10°C to 120°C.

Corrosion Protection

- Fusion bonded coating or liquid epoxy painted interior and exterior.

Schematic



Material Specifications

Part	Material	EN Specification	ASTM Specification
Body	Cast Iron	EN 1561,EN-GJL-250	A 126 ClassB
Ball	Stainless Steel	EN10213,GX5CrNi19-10	A351 Grade CF8
Seat	Rubber	EN681,EPDM/NBR	D2000 EPDM/NBR
Bonnet	Cast Iron	EN 1561,EN-GJL-250	A126 ClassB
Cover	Stainless Steel	EN10088-3,X5CrNi18-10	A276 Grade 304
Screen	Stainless Steel	EN10088-3,X5CrNi18-10	A276 Grade 304
Gasket	Rubber	EN681,EPDM/NBR	D2000 EPDM/NBR
Bonnet Bolts	Carbon Steel	Carbon Steel,Gr.4.8	A307 Grade B
Stud Bolts	Stainless Steel	BS970 304S15	A2-70

Main Dimensions(mm)

Size	DN25	DN32	DN40	DN50	DN80
Inlet Thread	Rc1	Rc1-1/4	Rc1-1/2	Rc2	Rc3
	1-11.5NPT	1-1/4-11.5NPT	1 1/2-11.5NPT	2-11.5NPT	3-8NPT
H	308	308	370	370	425

Notes

- Designs, materials and specifications shown are subject to change without notice due to the continuous development of our products.