

Double Door Break Check Valve

FIG - F0413

Specifications

- Designed for C503 wet barrel fire hydrant.
- 6" top and bottom flanges to ANSI B 16.1, Class 125.

Working Pressure and Temperature

- 250PSI @ -10°C~80°C.

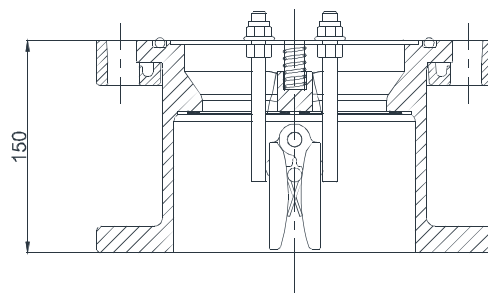
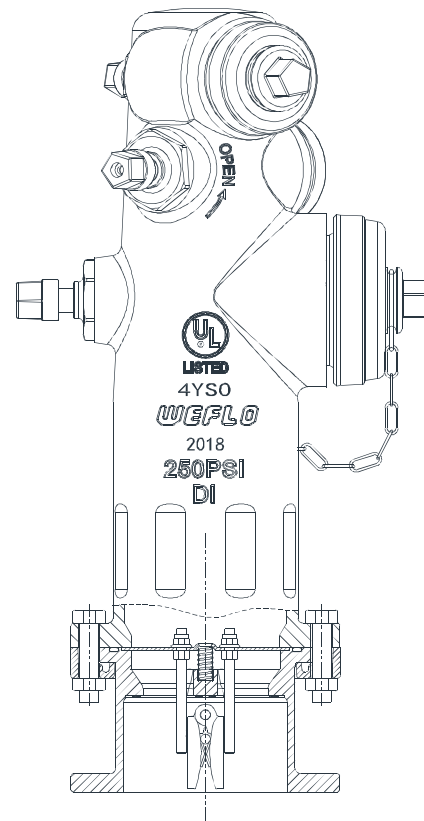
Corrosion Protection

- Fusion Bonded Epoxy Coated Interior and Exterior to AWWA C550 Standard.

Material Specifications

Part	Material	ASTM Specification
Check Valve Body	Ductile Iron	A536 Grade 65-45-12
Disc	Bronze	B62 C83600
Spring	Stainless Steel	A276 Grade 304
Retainer Plate	Stainless Steel	A276 Grade 304
Latch Pin	Stainless Steel	A276 Grade 304
Pin	Stainless Steel	A276 Grade 304
O-Ring	Rubber	NBR
Plug	Stainless Steel	A276 Grade 304

Schematic



Notes

- Designs, materials and specifications shown are subject to change without notice due to the continuous development of our products.