

## DIN3352 NRS Resilient Seated Gate Valve

FIG. 3276

### Specification

- Designed and manufactured in accordance with DIN 3352.
- High strength stainless steel stem with low operation torque.
- Face to face dimension complies with DIN3202-F4 / EN558-1 basic series 14.
- Flange and drilling complies with EN1092-2 PN10 or PN16, other flange types available upon request.
- Ductile-Iron wedge fully encapsulated with EPDM rubber compound.

### Working Pressure and Temperature

- 10bar/16bar rated at -10°C to 120 °C.

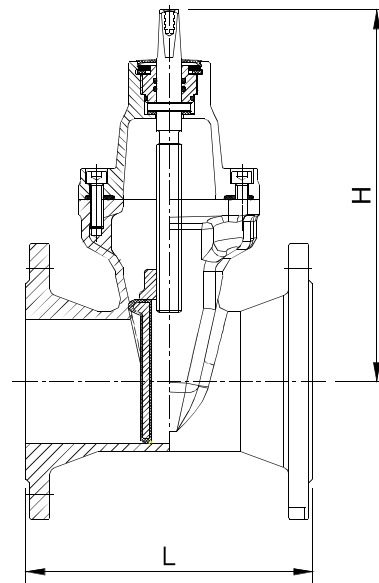
### Corrosion Protection

- Internally and externally fusion bonded epoxy powder coated.

### Material Specification

Part Name	Materials	EN Specification
Body	Ductile Iron	EN 1563, GJS-450-10
Bonnet	Ductile Iron	EN 1563, GJS-450-10
Wedge	EPDM Fully Encapsulated Ductile Iron Wedge	
Bush	Brass	EN 12168, CuZn39Pb3
Wedge Nut	Bronze	EN1982, CuAl10Fe3
Stem	Stainless Steel	EN 10088, X20Cr13
O-Ring	Rubber	EN681 NBR
Gasket	Rubber	EN681 EPDM
Gland	Brass	EN 12168, CuZn39Pb3
Handwheel	Ductile Iron	EN 1563, GJS-450-10
Fasteners	Carbon Steel	Grade 4.8

### Schematic



### Dimensions(mm)

Size	DN50	DN65	DN80	DN100	DN125	DN150	DN200	DN250	DN300
L	150	170	180	190	200	210	230	250	270
H	240	255	280	305	380	417	525	621	711

### Notes

- Designs, materials and specifications shown are subject to change without notice due to the continuous development of our products.