

DIN3352 NRS Metal Seated Gate Valve

FIG. 3137

Specification

- Valves comply with DIN3352.
- Metal seat.
- Inside screw.
- Adjustable stem seal.
- Handwheel operated.
- Flanged to EN1092-2 PN10 or PN16.
- Face to face length in accordance with DIN3202-F5.

Working Pressure and Temperature

- 10bar or 16 bar rated at -10°C to 120 °C.

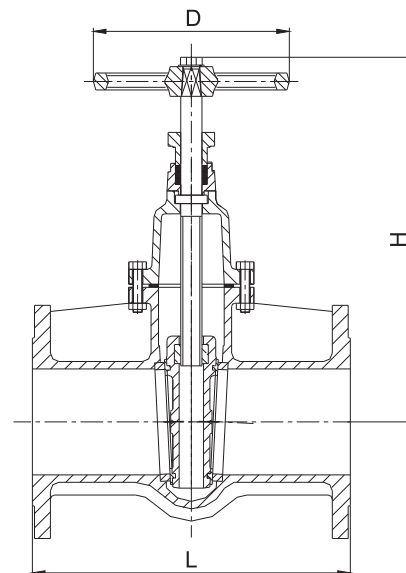
Corrosion Protection

- Internally and externally liquid epoxy painted.

Material Specification

Part Name	Materials	EN Specification
Body	Grey Cast Iron	EN1561 EN-GJL-250
	Ductile Iron	EN1563, EN-GJS-450-10
Wedge	Ductile Iron	EN1563, EN-GJS-450-10
Body Trim	Brass	B16 C36000
Wedge Trim	Brass	B16 C36000
Stem Nut	Brass	B16 C36000
Stem	Stainless Steel	EN10088, X20Cr13
Bonnet	Grey Cast Iron	EN1561 EN-GJL-250
	Ductile Iron	EN1563, EN-GJS-450-10
Gasket	Graphite	Non-asbestos
Packing	Graphite	Non-asbestos
Packing Gland	Ductile Iron	EN1563, EN-GJS-450-10
Packing Box	Ductile Iron	EN1563, EN-GJS-450-10
Handwheel	Grey Cast Iron	EN1561 EN-GJL-250
Fasteners	Carbon Steel	Grade 4.8

Schematic



Dimensions(mm)

Size	DN50	DN65	DN80	DN100	DN125	DN150	DN200	DN250	DN300
L	250	270	280	300	325	350	400	450	500
H	223.5	249.5	277	332	381	438	530	667	767
D	140	160	160	185	200	240	240	360	360

Notes

- Designs, materials and specifications shown are subject to change without notice due to the continuous development of our products.