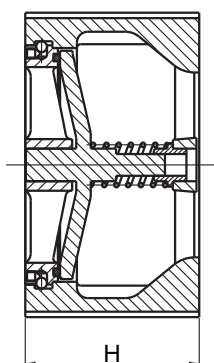
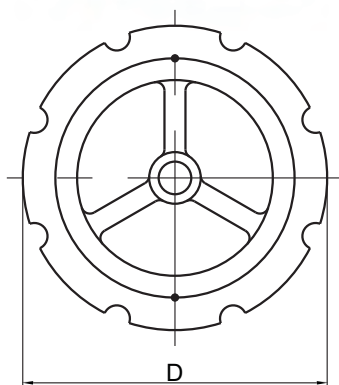


CLASS 125/CLASS250/
PN 16/PN25/JIS 10K/JIS16K

Wafer Type Silent Check Valve

Fig. 5312



Pressure Temperature Ratings

Working pressure	16bar/25bar
Testing Pressure	Shell:24bar/37.5bar
	Seal:17.6bar/27.5bar
Working Temperature	-20°C to 110°C EPDM
	-10°C to 80°C NBR
Suitable Media	Water,Oil&Gas

Material Specification

Part	Material	ASTM Spec.
Body	Cast Iron	A126 Class B
	Ductile Iron	A536 65-45-12
Disc	Stainless Steel 304	A351 CF8
	Bronze	B62 C83600
Seat	Stainless Steel 304	A351 CF8
	Bronze	B62 C83600
Seat Ring	EPDM / NBR	Commercial
Bushing	Bronze	B62 C83600
Spring	Stainless Steel 304	S30400

Dimensions

DN	mm	50	65	80	100	125	150	200	250	300	350
	inch	2	2-1/2	3	4	5	6	8	10	12	14
D		108	127	150	167	213	248	340	410	415	478
H		67	73	80	102	118	140	165	210	286	350