

Fig. 5201(Metal Seated)
5202(Resilient Seated)

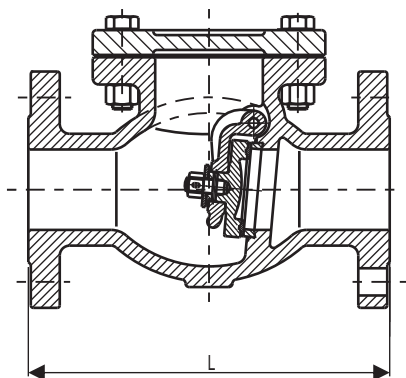


Valve Standard :

Comply with EN DIN3202 F6

Pressure Temperature Ratings

Working pressure	16bar
Testing Pressure	Shell:24bar Seal:17.6bar
Working Temperature	-10°C to 120°C
Suitable Media	Water,Oil&Gas



Material Specification

Part	Material	Spec.
Body	Cast Iron	EN-GJL-250
Disc	Cast Iron	EN-GJL-250
Seat Ring	Bronze	Brass
Disc Ring(5201)	Bronze	Brass
Disc Ring(5202)	EPDM	

Dimensions

DN	mm	40	50	65	80	100	125	150	200	250	300
	inch	1-1/2	2	2-1/2	3	4	5	6	8	10	12
	L	180	200	240	260	300	350	400	500	600	700