

Pn16

Counterweight Swing Check Valve

Fig. 5113

Valve Standard :

Face to Face Dimension comply with EN558-2 series 10

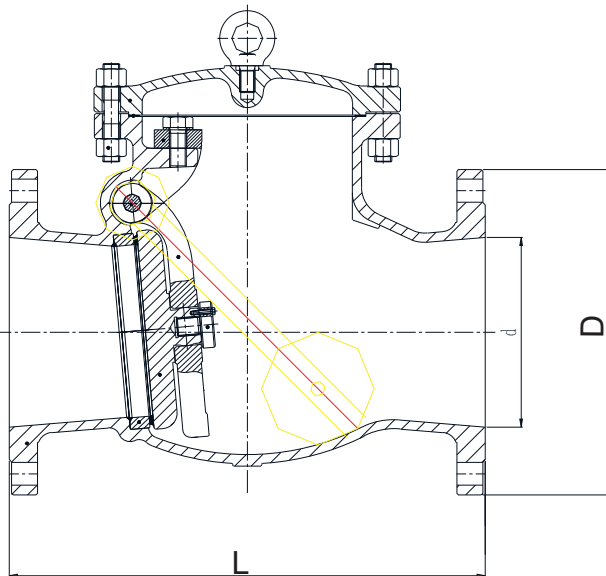


Pressure Temperature Ratings

Working pressure	16bar
Testing Pressure	Shell: 24bar
	Seal: 17.6bar
Working Temperature	-10°C to 120°C

Material Specification

Part	Material	EN Spec.
Body	Duct Iron	EN-JS1050
Bonnet	Duct Iron	EN-JS1050
Disc	Duct Iron	EN-JS1050
Seat Ring	Brass	EN 12165W 603N
Stem	Stainless Steel	Bs970 420S37
Lever	Duct Iron	EN-JS1050
Weight	Duct Iron	EN-JS1050



Dimensions

DN	mm	50	65	80	100	125	150	200	250	300
	inch	2	2-1/2	3	4	5	6	8	10	12
L		203	216	241	292	330	356	495	622	699
D		165	185	200	220	250	285	340	405	460