

Fig.2720

Valve Standard :

Comply with MSS SP-67 / API609 / EN593

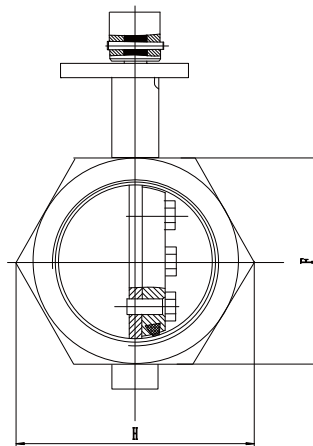
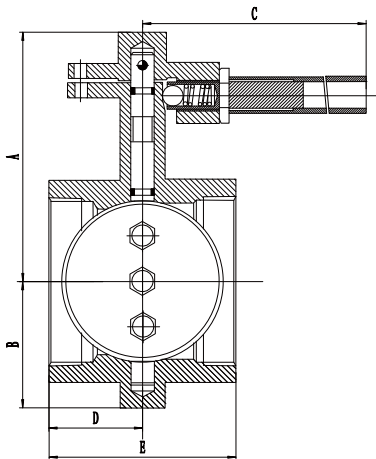


Pressure Temperature Ratings

Working pressure	200PSI
Testing Pressure	Shell:300PSI Seat:220PSI
Working Temperature	-20 °C to 90 °C
Suitable Media	Water, Oil & Gas

Material Specification

Part	Material	ASTM
Body	Cast Iron	A126 Class B
Disc	Bronze Ductile Iron	B148 C95400 A536 65-45-12
Stem	Stainless Steel 410	A276 S 410 00
Disc O-ring	NBR	
Handle	Ductile Iron	A536 65-45-12



Dimensions

DN	mm	50	80	100	150
	inch	2	3	4	6
A		105.41	152.91	161.04	231.24
B		57.15	69.85	93.37	120.65
C		203.2	203.2	203.2	330.2
D		53.98	61.72	65.02	88.9
E		107.95	123.7	130.05	177.8
F		76.2	103.12	134.87	196.85
H		87.88	119.13	155.7	277.3