

## Automatic Air Valve

## FIG. 9208

### Specifications

- The Weflo 9208 is a high performance automatic air valve. The resilient seat offers a 100% reliable seal. The single chamber design offers better performance than double chamber designs. The intake and exhaust speed can reach the speed of sound. The design is lug-gedly simple of corrosion resistant stainless steel.
- EPDM sealing ring.
- Flanged and drilling complies with EN1092-2 PN16 (Other types are available on request).
- Outlet female thread acc. To DIN ISO 228.

### Working Pressure and Temperature

- 0.2 bar to 16 bar rated at -10°C to 120°C.

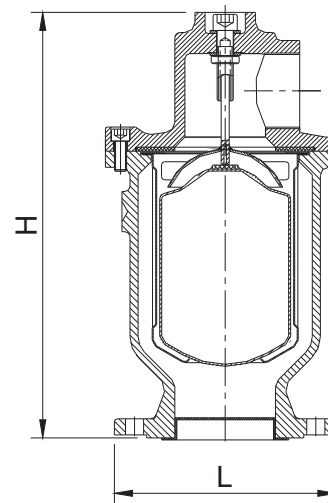
### Corrosion Protection

- Fusion bonded coating or liquid epoxy painted interior and exterior.

### Material Specifications

Part	Material	EN Specification	ASTM Specification
Body	Ductile Iron	EN1563, EN-GJS-450-10	A536 65-45-12
Float Ball Protector	Stainless Steel	EN10088-3, X5CrNiMo17-12-2	A276 Grade 316
Float Ball	Stainless Steel	EN10213, GX5CrNiMo19-11-2	A351 Grade CF8M
Rubber Washer	Rubber	EN681, EPDM	D2000 EPDM
Disc	Stainless Steel	EN10088-3, X5CrNiMo17-12-2	A276 Grade 316
Spacer	Stainless Steel	EN10088-3, X5CrNiMo17-12-2	A276 Grade 316
Gasket	Rubber	EN681, EPDM	D2000 EPDM
Bonnet	Ductile Iron	EN1563, EN-GJS-450-10	A536 65-45-12
Guide Sleeve	Stainless Steel	EN10088-3, X5CrNiMo17-12-2	A276 Grade 316

### Schematic



### Main Dimensions (mm)

Size	DN50	DN80	DN100	DN150	DN200
L	165	200	220	285	340
H	349	349	423	552	552

#### Notes

- Designs, materials and specifications shown are subject to change without notice due to the continuous development of our products.