

## Alarm Check Valve

## FIG. F1511-300 / F1512-300 / F1522-300

### Specifications

- Alarm check valves should be installed vertically orientation.
- For use in wet pipe (automatic sprinkler) fire protection systems
- Excellent flow characteristics.
- Automatically actuates electrically and/or hydraulically operated alarms when there is a steady flow equivalent to the discharge rate for one or more sprinklers.
- Retard Chamber used in installations subject to variable pressure to help prevent false alarms.
- Flanged connections are drilled per EN1092 -PN10/16 or ANSI B16.1 Class 125.
- Grooved connections are cut in accordance with standard groove specifications for steel pipe.
- UL 193 listed and FM 1041 approved.
- CE and GOST certificated.

### Working Pressure

- UL/FM: 20 to 300 psi @ 0°C to 68°C
- CE: 1.4 bar to 16 bar @ 0°C to 68°C

### Corrosion Protection

- Fusion bonded coating interior and exterior meet or exceed all applicable of AWWA C550 standard.

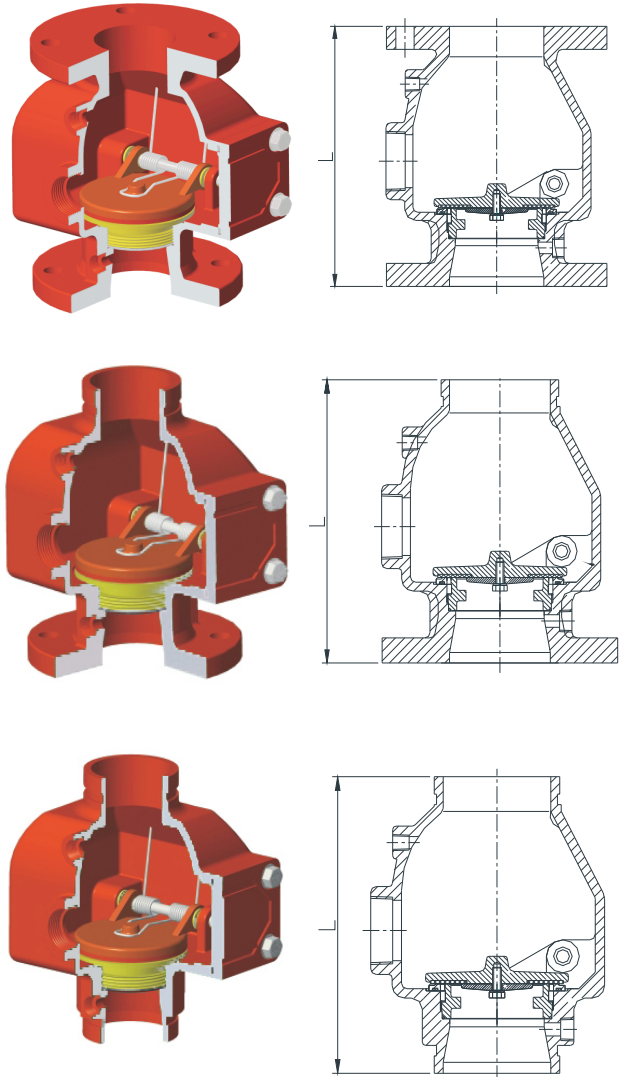
### Options

- Multiple end type : Groove by Groove, Flange by Flange, Flange by Groove.
- With or without retard chamber.
- Other flange types available upon request.

### Main Dimensions (mm/inch)

Size	DN80 (3in)	DN100 (4in)	DN150 (6in)	DN200 (8in)
L (mm)	257	270	340	432
L (inch)	10.12	10.63	13.39	17.01

### Schematic



### Material specification

Part	Material	ASTM Specification	EN Specification
Body	Ductile Iron	A536 Grade 65-45-12	EN 1563 EN-GJS-450-10
Cover	Ductile Iron	A536 Grade 65-45-12	EN 1563 EN-GJS-450-10
Body/Cover Gasket	Rubber	D2000 EPDM	EPDM
Hinge Pin	Stainless Steel	A276 Type 304	EN 10088 X5CrNi18-10
Spring	Stainless Steel	A276 Type 304	EN 10088 X5CrNi18-10
Disc	Ductile Iron	A536 Grade 65-45-12	EN 1563 EN-GJS-450-10
Disc Seat	Rubber	D2000 EPDM	EPDM
Seat Retainer	Ductile Iron	A536 Grade 65-45-12	EN 1563 EN-GJS-450-10
Body Seat	Bronze	B63 C83600	EN 1982 CC491K

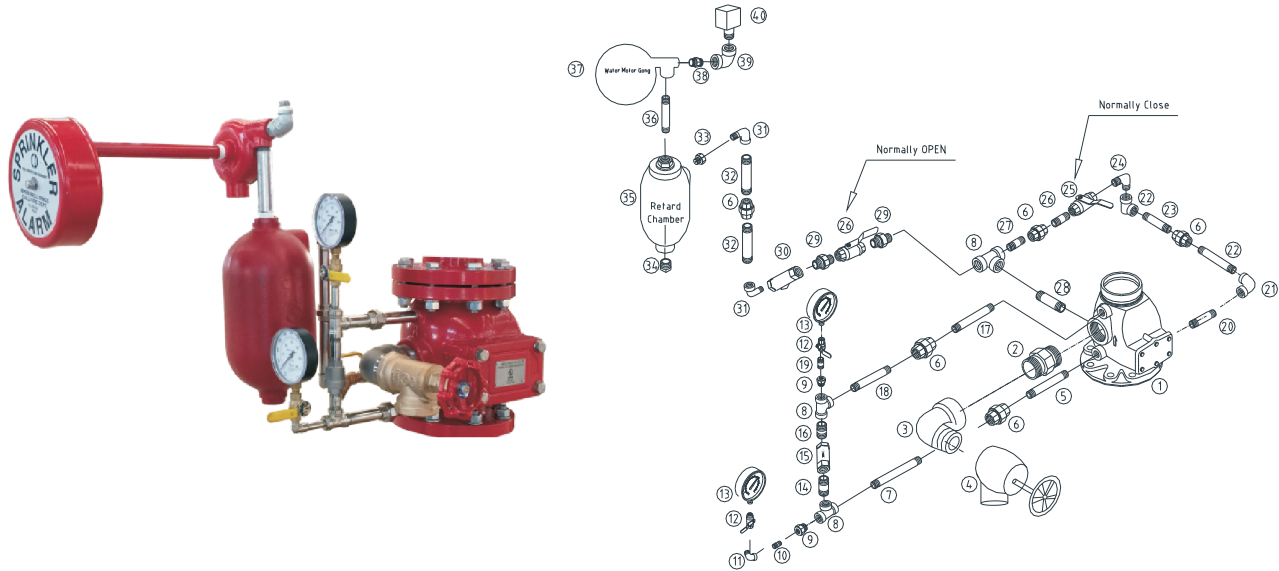
#### Notes:

- Designs, materials and specifications shown are subject to change without notice due to the continuous development of our products.

## Alarm Check Valve

## FIG. F1511-300 / F1512-300 / F1522-300

### Schematic of Valve with Accessories



Part No.	Specification	Material	Part No.	Specification	Material
1	Valve		21	1/2" 90° Elbow	Malleable Iron
2	2" NPT Pipe Fitting	Malleable Iron	22	1/2" NPT Screwed Pipe	Carbon Steel
3	2" NPT Street Elbows	Malleable Iron	23	1/2" NPT Screwed Pipe	Carbon Steel
4	2" Angle Valve	Brass	24	1/2" 90° Elbow	Malleable Iron
5	1/2" NPT Screwed Pipe	Carbon Steel	25	1/2" Ball Valve	Brass
6	1/2" Cone Union	Malleable Iron	26	1/2" NPT Screwed Pipe	Carbon Steel
7	1/2" NPT Screwed Pipe	Carbon Steel	27	1/2" NPT Screwed Pipe	Carbon Steel
8	1/2" Straight Tees	Malleable Iron	28	1/2" NPT Screwed Pipe	Carbon Steel
9	1/2" x 1/4" Reducers	Malleable Iron	29	1/2" NPT Pipe Fitting	Malleable Iron
10	1/4" NPT Screwed Pipe	Carbon Steel	30	1/2" Y-Strainer	Brass
11	1/4" 90° Elbow	Malleable Iron	31	1/2" 90° Street Elbow	Malleable Iron
12	1/4" Ball Valve	Brass	32	1/2" NPT Screwed Pipe	Carbon Steel
13	Pressure Gauge		33	Pipe Fitting	AISI 304
14	1/2" NPT Screwed Pipe	Carbon Steel	34	Plug 1	Brass
15	1/2" Check Valve	Brass	35	Retard Chamber	Cast Iron
16	1/2" NPT Screwed Pipe	Carbon Steel	36	3/4" NPT Screwed Pipe	Carbon Steel
17	1/2" NPT Screwed Pipe	Carbon Steel	37	Water Motor Gong	
18	1/2" NPT Screwed Pipe	Carbon Steel	38	3/4" NPT Screwed Pipe	Carbon Steel
19	1/2" NPT Screwed Pipe	Carbon Steel	39	3/4" x 1/2" 90° Reducing Elbow	Malleable Iron
20	1/2" NPT Screwed Pipe	Carbon Steel	40	Pressure Switch	