

AWWA C509 NRS Resilient Seated Gate Valve

FIG. 3226

Specification

- Meet or exceed the requirements of AWWA C509 standard.
- Full waterway.
- 2" Square Operating Nut.
- Robust design.
- Bolted bonnet.
- Triple O-Ring stem seal.
- Face to face dimension complies with ASME B16.10 and EN 558 series 3.
- Flange and drilling complies with ASTM B16.1 Class 125.

Working Pressure and Temperature

- 150psi /200psi/250psi for size 2" to 30" rated at -10°C to 120 °C.
- 300psi for size 2" to 12" rated at -10°C to 120 °C.

Corrosion Protection

- Fusion bonded coating interior and exterior meet or exceed all applicable of AWWA C550 standard.

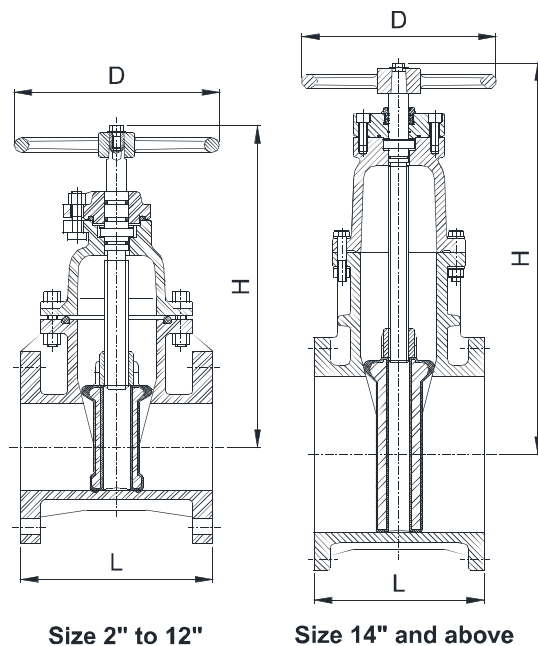
Options

- ASTM A276 Grade 316 stem.
- Stainless steel fasteners: A4-70.
- With post flange.
- Operated with handwheel, operating nut ,gearbox or actuator.

Material Specifications

Part	Material	ASTM Specification
Body	Ductile Iron	A536 Grade 65-45-12
Wedge	EPDM Fully Encapsulated Ductile Iron Wedge	
Wedge Nut	Bronze	B148 C95200
Bonnet	Ductile Iron	A536 Grade 65-45-12
Stem	Stainless Steel	A276 Grade 304
Gland	Ductile Iron	A536 Grade 65-45-12
Operating Nut	Ductile Iron	A536 Grade 65-45-12
Fasteners	Stainless Steel	F593 Grade 304
Body/Bonnet Gasket	Rubber	D2000 EPDM
Handwheel	Ductile Iron	A536 Grade 65-45-12

Schematic



Main Dimensions(mm)

Size	2"	2-1/2"	3"	4"	6"	8"	10"	12"	14"	16"	18"	20"	24"
L	178	191	203	229	267	292	330	356	381	406	432	457	508
H	280	305	355	410	485	585	660	790	870	1020	1130	1200	1355
D	185	185	255	255	305	356	445	445	445	535	610	610	762

Notes

- Designs, materials and specifications shown are subject to change without notice due to the continuous development of our products.