

## AWWA C504 /C516 Double Eccentric Butterfly Valve

FIG. 2108

### Specification

- Meet or exceed the requirements of AWWA C504 / C516.
- Double eccentric type.
- Robust design.
- Rubber seat ring clamped on the disc.
- Stainless steel seat welded on the body.
- Mounting flange in accordance with MSS SP-102 or ISO 5211.
- Flange and drilling complies with ASME B16.1 Class 125 /Class 250.
- Operated with gear operator.

### Working Pressure and Temperature

- 150psi rated at -10°C to 120°C (14°F to 250°F) for EPDM liner.
- 150psi rated at -10°C to 82°C (14°F to 180°F) for BUNA-N liner.

### Corrosion Protection

- Fusion bonded coating or liquid painting interior and exterior complies with AWWA C550.

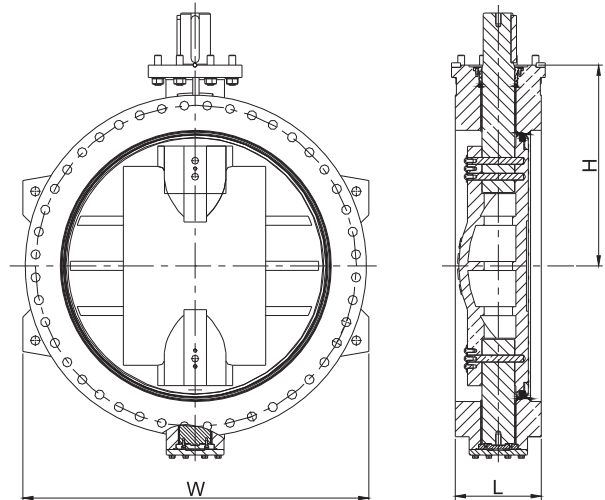
### Options

- NSF approved fusion bonded coating or liquid painting.
- BUNA-Nbonded body seat.
- 250psi available.

### Material Specifications

Part	Material	ASTM Specification
Body	Ductile Iron	A536 65-45-12
Body Seat	Stainless Steel	A276 Grade 304
Shaft	Stainless Steel	A276 Grade 304
Disc	Ductile Iron	A536 65-45-12
Disc Seat Ring	Rubber	D2000 EPDM
Disc Holding Plate	Stainless Steel	A276 Grade 304
Shaft Bush	Bronze	B148 C95200
Adjust Spacer	Bronze	B148 C95200
Shaft Sealing	O-Ring	D2000 BUNA-N
Shaft Retainer	Stainless Steel	A276 Grade 304
Bottom Plate	Ductile Iron	A536 65-45-12

### Schematic



### Dimensions (inch/mm)

Size	30"	36"	42"	48"	54"	60"	66"	72"	78"	90"	96"
L	12 (305)			15 (381)			18 (457)			24 (610)	24 (610)
H	24.5 (625)	28.5 (725)	32.5 (825)	35 (890)	39 (990)	43 (1095)	49 (1045)	52.5 (1330)	52.5 (1330)	59 (1550)	62.5 (1590)
W	40 (1020)	48 (1220)	55 (1400)	61 (1550)	67 (1700)	74 (1880)	81 (2060)	88 (2235)	94 (2390)	108 (2745)	115 (2920)

### Notes

- Designs, materials and specifications shown are subject to change without notice due to the continuous development of our products.