

AWWA C500 NRS Metal Seated Gate Valve

FIG. 3250

Specification

- Comply with AWWA C500.
- Bronze seat.
- Adjustable stem seal.
- Available with handwheel, gearbox or actuator.
- Flange and drilling complies with ASTM B16.1 Class125.
- Face to face dimensions in accordance with: EN 558-1 basic series 3, ASME B16.10.

Working Pressure and Temperature

- 150psi /200psi/250PSI rated at -10°C to 120 °C.

Corrosion Protection

- Internally and externally liquid painted or fusion bonded coating.

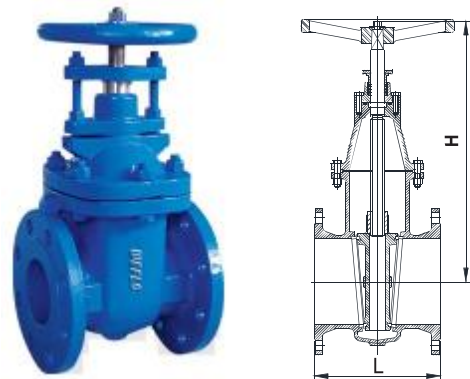
Options

- Flange and drilling complies with EN1092-2 PN16.
- ASTM A276 Grade 304 stem.
- Stainless steel fasteners: A2-70 or A4-70.

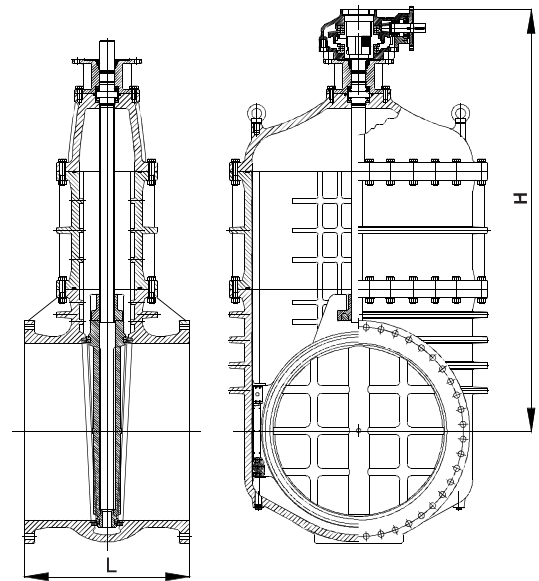
Material Specifications

Part Name	Materials	ASTM Specification
Body	Ductile Iron	A536. 65-45-12
Bonnet	Ductile Iron	A536. 65-45-12
Body Seat	Bronze	B62 C83600
Wedge	Ductile Iron	A536. 65-45-12
WedgeSeat	Bronze	B62 C83600
Stem	Stainless Steel	A276. Grade 420
Wedge Nut	Brass	B148 C95200
Gasket	Graphite	Non-asbestos
Packing	Graphite	Non-asbestos
Fasteners	Carbon Steel	A307, Grade B
Handwheel	Ductile Iron	A536. 65-45-12

Schematic



Size 2" to 12"



Size 14" and above

Main Dimensions(mm)

Size	2"	2-1/2"	3"	4"	5"	6"	8"	10"	12"	14"	16"	18"
L	178	191	203	229	254	267	292	330	356	381	406	432
H	240	325	340	420	480	545	668	750	835	995	1130	1240

Size	20"	24"	28"	30"	32"	36"	42"	48"	54"	60"	66"	-
L	457	508	610	610	660	711	915	1180	945	945	945	-
H	1350	1370	1520	1850	1930	2215	2440	2865	3090	3315	3435	-

Notes

- Designs, materials and specifications shown are subject to change without notice due to the continuous development of our products.