

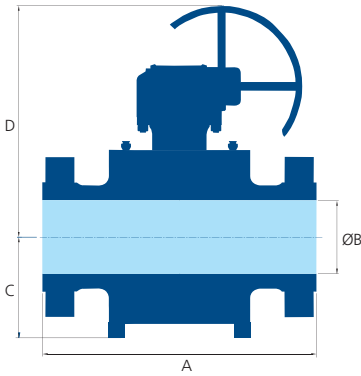
# Trunnion-mounted Ball Valves



ASME Class 150 to 2500 | 2" to 56" (50 mm to 1400 mm)  
API 6D

## Trunnion-mounted Ball Valves

ASME Class 900  
Full Bore



20" Class 900

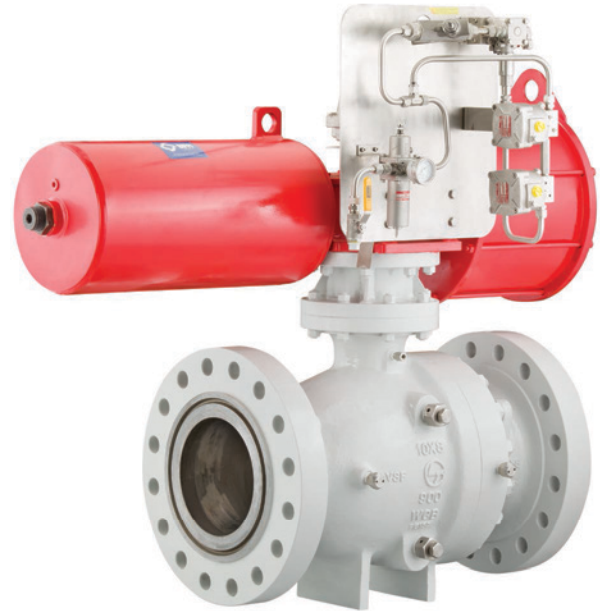
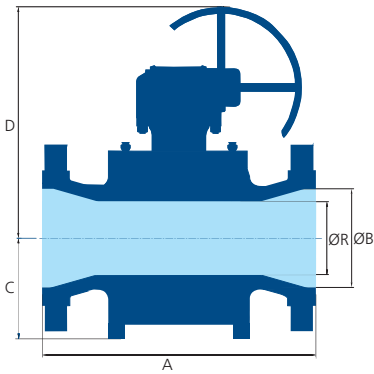
Size NPS	A			B	C	D	Wt.		Design
	RF	RTJ	BW				FL	BW	
2	368	371	368	49	95	335	65	60	2-piece
3	381	384	381	74	120	435	85	70	
4	457	460	457	100	145	545	160	145	
6	610	613	610	150	195	620	350	320	
8	737	740	737	201	360	670	650	590	
10	838	841	838	252	410	770	915	820	3-piece
12	965	968	965	303	460	865	1430	1300	
14	1029	1038	1029	322	500	910	1600	1445	
16	1130	1140	1130	373	545	940	2195	1970	
18	1219	1232	1219	423	580	1060	3150	2860	
20	1321	1334	1321	471	650	1215	4880	4475	
24	1549	1568	1549	570	690	1305	7300	6655	
28	1753	1775	1753	665	825	1410	10125	9110	
30	1880	1902	1880	712	890	1450	12030	10830	
32	2032	2054	2032	760	910	1460	14024	12620	
36	2286	2315	2286	855	965	1475	20075	18070	

All dimensions in mm and weights in kg

## Trunnion-mounted Ball Valves

### ASME Class 900

### Reduced Bore



10" x 8" Class 900

Size NPS	A			R	B	C	D	Wt.		Design
	RF	RTJ	BW					FL	BW	
3 x 2	381	384	381	49	74	95	335	70	65	2-piece
4 x 3	457	460	457	74	100	120	435	110	100	
6 x 4	610	613	610	100	150	145	545	210	190	
8 x 6	737	740	737	150	201	195	620	380	335	
10 x 8	838	841	838	201	252	360	670	750	705	3-piece
12 x 10	965	968	965	252	303	410	770	1055	980	
14 x 10	1029	1038	1029	252	322	410	770	1120	1050	
14 x 12	1029	1038	1029	303	322	460	865	1515	1375	
16 x 12	1130	1140	1130	303	373	460	865	1610	1455	
16 x 14	1130	1140	1130	322	373	500	910	1770	1585	
18 x 14	1219	1232	1219	322	423	500	910	1830	1650	
18 x 16	1219	1232	1219	373	423	545	940	2525	2310	
20 x 16	1321	1334	1321	373	471	545	940	2680	2445	
20 x 18	1321	1334	1321	423	471	580	1060	3625	3330	
24 x 20	1549	1568	1549	471	570	650	1215	5175	4845	
28 x 24	1753	1775	1753	570	665	690	1305	7740	7245	
30 x 24	1880	1902	1880	570	712	690	1305	8205	7450	
36 x 30	2286	2315	2286	712	855	890	1450	12755	11900	
42 x 36	*	*	*	855	1006	965	1475	21300	19740	
48 x 42	*	*	*	855	1006	1010	1500	*	*	

All dimensions in mm and weights in kg

\* Contact L&T Valves for weights