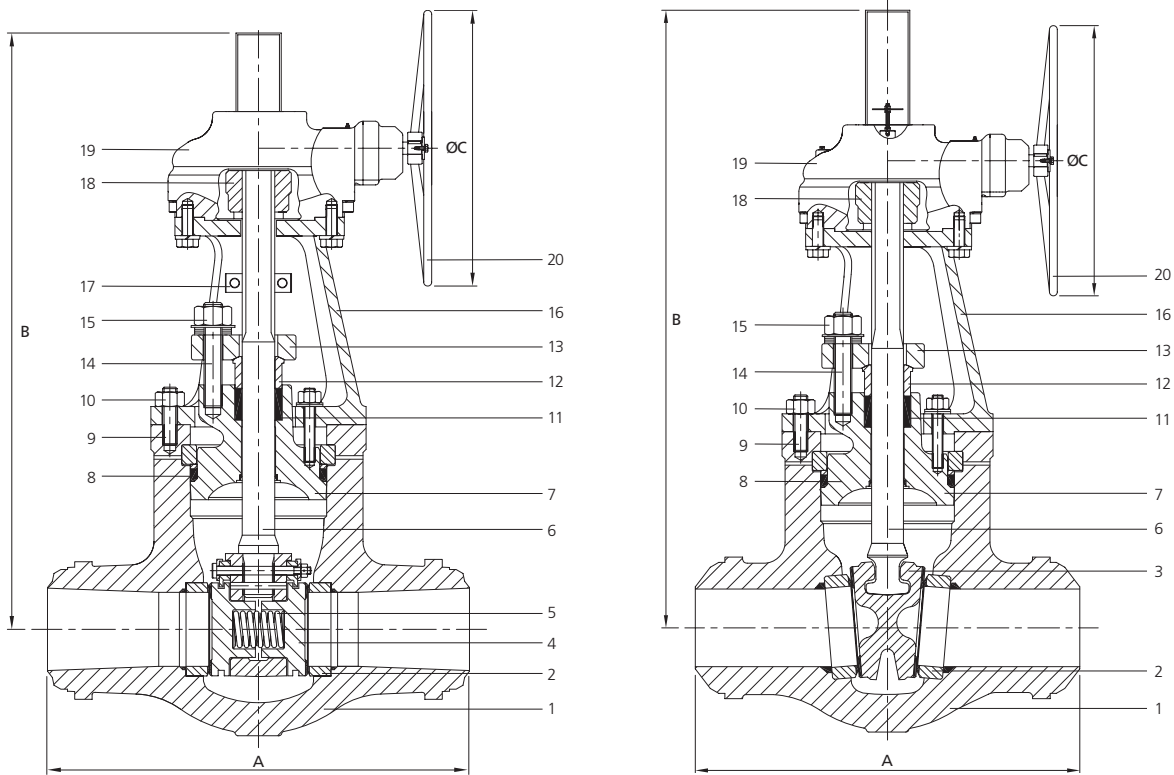


## Gate Valves - ASME Class 600 to 4100 (ASME B16.34)

L&T gate valves in classes ranging from 600 to 4100 conform to ASME B16.34. The valves feature a high integrity pressure-seal body-bonnet connection and are of cast-yoke construction. The valves are offered in Parallel-slide and Flex Wedge designs.



### Materials of Construction

No.	Components	Materials			
		WCC	WC6	WC9	C12A
1	Body	A216 Gr. WCC	A217 Gr. WC6	A217 Gr. WC9	A217 Gr. C12A
2	Seat Ring (Seal Welded)	A105N + HF	A182 Gr. F11 + HF	A182 Gr. F22 + HF	A182 Gr. F91 + HF
3	Wedge (Flexible)	A216 Gr. WCC + HF	A217 Gr. WC6 + HF	A217 Gr. WC9 + HF	A217 Gr. C12A+ HF
4	Disc	A105N + HF	A182 Gr. F11 + HF	A182 Gr. F22 + HF	A182 Gr. F91 + HF
5	Spring	Inconel X750			
6	Stem	A182 Gr. F6a	A182 Gr. F6a	A182 Gr. F6a	A479 Type XM-19
7	Bonnet	A216 Gr. WCC/ A105N + HF	A217 Gr. WC6/ A182 Gr. F11 + HF	A217 Gr. WC9/ A182 Gr. F22 + HF	A217 Gr. C12A/ A182 Gr. F91 + HF
8	Gasket	Graphite			
9	Stud	A193 Gr. B7	A193 Gr. B16	A193 Gr. B16	A193 Gr. B16
10	Hex Nut	A194 Gr. 2H	A194 Gr. 7	A194 Gr. 7	A194 Gr. 7
11	Packing	Graphite with Braided end-rings			
12	Gland	A276 Type 410	A276 Type 410	A276 Type 410	A276 Type 316
13	Gland Flange	A216 Gr. WCC/ A105N	A217 Gr. WC6/ A182 Gr. F11	A217 Gr. WC9/ A182 Gr. F22	A217 Gr. C12A/ A182 Gr. F91
14	Stud	A193 Gr. B7	A193 Gr. B16	A193 Gr. B16	A193 Gr. B16
15	Hex Nut	A194 Gr. 2H	A194 Gr. 7	A194 Gr. 7	A194 Gr. 7
16	Yoke	A216 Gr. WCC	A217 Gr. WC6	A217 Gr. WC9	A217 Gr. C12A
17	Stem Guide	A276 Type 410			
18	Stem Nut	Bronze			
19	Gear Unit	Ductile Iron			
20	Handwheel	Steel			
--	Identification Plate	SS 304			

HF - Hard-Faced with Stellite 6 or equivalent

### Parallel-slide Gate Valves - Dimensions & Weights

Size		Class 900				Class 1500				Class 2500				Class 3100			
NPS	DN	A	B	C	Wt.	A	B	C	Wt.	A	B	C	Wt.	A	B	C	Wt.
3	80	305	580	305	65	305	580	305	65	368	580	500	130	368	710	400	140
4	100	356	710	355	110	406	610	400	120	457	580	500	165	457	785	400	280
6	150	508	670	630	235	559	710	630	270	610	765	710	350	610	1090	710	545
8	200	660	815	710	380	711	825	710	500	762	930	800	690	762	1200	900	925
10	250	787	1025	900	720	864	1025	900	900	914	1020	900	1250	914	1420	800	1470
12	300	914	1105	900	1000	991	1110	900	1100	1041	1440	1000	1900	1041	1661	800	2340
14	350	991	1150	900	1200	1067	1320	1000	1700	1118	1600	1000	2900	1118	1715	800	3400
16	400	1092	1560	1000	1660	1194	1600	1000	2250	1245	1910	800	3900	1245	1890	800	4000
18	450	1219	1945	800	2500	1346	1680	1000	3470	1397	2220	900	4620	1397	2200	900	5540
20	500	1321	2150	800	2950	1473	1980	1000	4550	1537	2550	800	6760	1524	2390	1000	7130
24	600	1549	2550	800	4225	1943	2570	1000	6600	1549	2920	900	8760				
28	700	1727	2775	1000	6300												

Size		Class 600			
NPS	DN	A	B	C	Wt.
20	500	1194	1855	800	2320
22	550	1250	2045	800	3100
24	600	1397	2380	800	3535
26	650	1448	2520	800	4600
28	700	1549	2695	800	5345
30	750	1651	2835	900	7700
36	900	1900	3375	1000	9500
38	950	1900	3415	1000	11500
40	1000	1900	3855	900	14000
42	1050	1900	3960	1000	16500



### Flex Wedge Gate Valves - Dimensions & Weights

Size		Class 600				Class 900				Class 1500				Class 2500			
NPS	DN	A	B	C	Wt.	A	B	C	Wt.	A	B	C	Wt.	A	B	C	Wt.
2	50	292	405	203	25	216	470	228	40	216	460	228	40	279	445	228	55
3	80	254	545	254	45	305	590	305	65	305	615	356	75	368	850	500	150
4	100	305	690	305	80	356	690	356	110	406	810	500	145	457	810	500	190
6	150	457	900	508	350	508	1105	710	250	559	1110	710	330	610	1140	710	520
8	200	584	1200	500	300	660	1290	710	380	711	1360	800	680	762	1400	900	1100
10	250	711	1455	710	720	787	1445	800	720	864	1580	900	1000	914	1720	1000	2100
12	300	838	1680	710	1150	914	1810	900	1150	991	1810	1000	1580	1041	1830	1000	2205
14	350	889	1815	800	1165	991	1925	900	1420	1067	2015	1000	2200	1118	2030	1000	3400
16	400	991	2140	900	1510	1092	2145	1000	2000	1194	2215	1000	2750	1245	2240	1000	4600
18	450	1092	2270	710	2650	1219	2260	800	2650	1346	2300	900	3915	1397	2410	900	5500
20	500	1194	2630	1000	3040	1334	2600	900	4270	1473	2590	900	5150	1473	2650	1000	6980
24	600	1397	2850	710	5100	1549	3410	1000	5100	1943	3070	900	7500	1549	3070	1000	10600
30	750	1651	3625	1000	6600	1816	3770	900	6600	2229	3700	710	13500				
32	800	1778	3850	1000	8550	1778	3855	1000	10975								
36	900	2083	4100	1000	10500												

All dimensions in mm and weights in kg