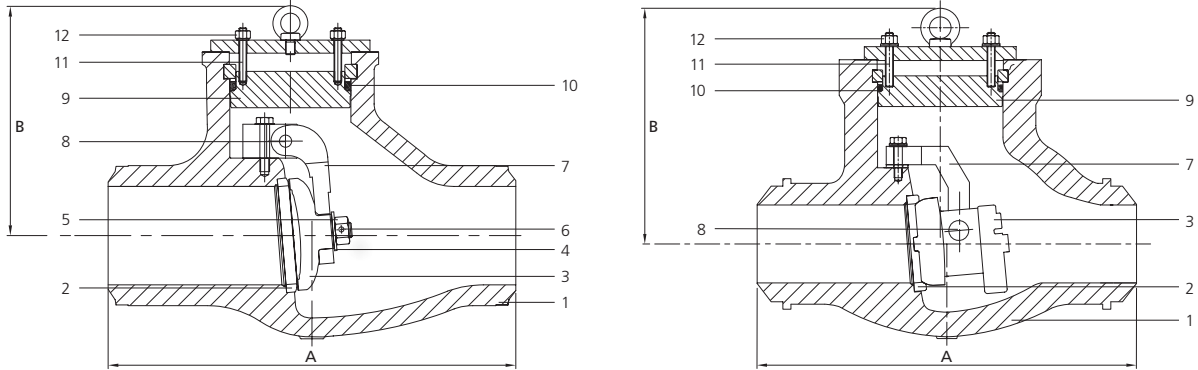


Check Valves - ASME Class 900 to 3500 (ASME B16.34)

L&T's high-pressure check valves are of pressure-seal design. As a standard, these valves are supplied with internal hinge-pins. Pressure-seal check valves can be offered in swing check design or tilting disc design.



Materials of Construction

No.	Components	Materials			
		WCC	WC6	WC9	C12A
1	Body	A216 Gr. WCC	A217 Gr. WC6	A217 Gr. WC9	A217 Gr. C12A
2	Seat Ring	A105N + HF	A182 Gr. F11 +HF	A182 Gr. F22 + HF	A182 Gr. F91 + HF
3	Disc	A216 Gr. WCC/ A105N + HF	A217 Gr. WC6/ A182 Gr. F11 + HF	A217 Gr. WC9/ A182 Gr. F22 + HF	A217 Gr. C12A/ A182 Gr. F91 + HF
4	Disc Washer	SS 304/ SS 316			
5	Disc Nut	SS 304/ SS 316			
6	Disc Pin	SS 304/ SS 316			
7	Hinge/ Bracket	A216 Gr. WCC/ A516 Gr. 70	A217 Gr. WC6/ A387 Gr. 11	A217 Gr. WC9/ A387 Gr. 22	A217 Gr. C12A/ A387 Gr. 91
8	Hinge Pin/ Hinge Bolt	A276 Type 410			
9	Cover	A216 Gr. WCC/ A105N	A217 Gr. WC6/ A182 Gr. F11	A217 Gr. WC9/ A182 Gr. F22	A217 Gr. C12A/ A182 Gr. F91
10	Gasket	Graphite with Braided end-rings			
11	Cover Stud	A193 Gr. B7	A193 Gr. B16	A193 Gr. B16	A193 Gr. B16
12	Cover Nut	A194 Gr. 2H	A194 Gr. 7	A194 Gr. 7	A194 Gr. 7
--	Identification Plate	SS 304			

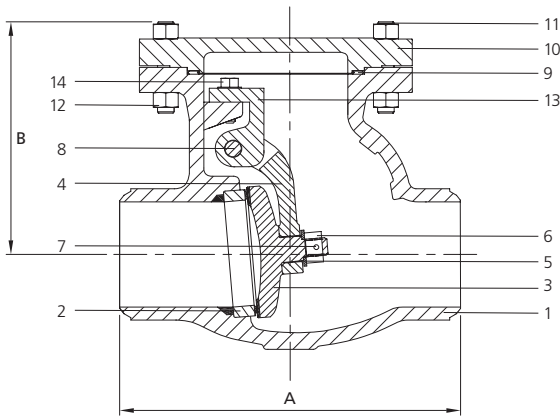
HF - Hard-Faced with Stellite 6 or equivalent

Swing Check Valve - Dimensions & Weights

Size		Class 900			Class 1500			Class 2500			Class 3100		
NPS	DN	A	B	Wt.	A	B	Wt.	A	B	Wt.	A	B	Wt.
2	50	216	230	35	216	230	35	279	240	45			
3	80	305	270	45	305	270	45	368	240	55	368	280	112
4	100	356	270	60	406	270	65	457	290	85	457	314	113
6	150	508	305	105	559	310	120	610	350	185	610	440	235
8	200	660	405	220	711	410	260	762	540	330	762	520	486
10	250	787	490	380	864	490	430	914	610	900	914	600	946
12	300	914	595	500	991	600	650	1041	650	1130	1041	706	1376
14	350	991	615	780	1067	615	830	1118	770	1460	1241	832	1700
16	400	1092	720	980	1194	700	1350	1245	825	1900	1245	778	2593
18	450	1219	800	1260	1346	770	1850	1397	900	2650	1395	861	3659
20	500	1321	900	2050	1664	915	2745	1473	950	3640	1524	933	4223
24	600	1549	1110	3375	1943	1110	3800	1549	1110	5500	1727	1041	6700

All dimensions in mm and weights in kg
Weights of Tilting Disc Check Valves available on demand

Check Valves - ASME Class 150, 300 & 600 (BS1868, ASME B16.34)



No.	Components	Materials	
1	Body	A216 Gr. WCB	
2	Seat Ring	A105N + HF	
3	Disc	A216 Gr. WCB + 13% Cr. Steel	
4	Hinge	A216 Gr. WCB	
5	Disc Washer	A276 Type 316	
6	Hinge		
7	Disc Nut Pin		
8	Hinge Pin	A276 Type 410	
9	Gasket	Cl.150	Spiral-wound SS 316 with Graphite filler
		Cl.300	
		Cl.600	
10	Cover	A216 Gr. WCB	
11	Stud	A193 Gr. B7	
12	Hex Nut	A194 Gr. 2H	
13	Bracket	A216 Gr. WCB	
14	Hex Head Screw	A276 Type 316	
--	Identification Plate	SS 304	

HF - Hard-Faced with Stellite 6 or equivalent

Valves in other materials available on demand

Dimensions & Weights

Size		Class 150					Class 300					Class 600				
		A		B	Wt.		A		B	Wt.		A		B	Wt.	
NPS	DN	FL	BW		FL	BW	FL	BW		FL	BW	FL	BW		FL	BW
2	50	203	203	150	21	19	267	267	160	24	19	292	292	180	35	30
3	80	241	241	180	34	27	318	318	190	45	36	356	356	205	55	46
4	100	292	292	215	49	43	356	356	230	70	56	432	432	250	92	70
6	150	356	356	270	88	77	444	444	315	151	129	559	559	330	204	161
8	200	495	495	325	168	118	533	533	370	242	210	660	660	415	323	260
10	250	622	622	405	333	198	622	622	410	333	284	787	787	500	550	455
12	300	698	698	455	413	271	711	711	485	450	378	838	838	575	790	680
14	350	787	787	490	509	365	838	838	540	659	556	889	889	610	870	790
16	400	864	864	530	580	490	864	864	575	873	747	991	991	670	1370	1260
18	450	978	978	590	635	665	978	978	680	1090	900	1092	1092	715	1750	1630
20	500	978	978	640	925	865	1016	1016	680	1360	1176	1194	1194	745	2360	2220
24	600	1295	1295	790	1500	1405	1346	1346	800	1850	1573	1397	1397	880	3820	3670
26	650	1295	1295	910	1276	1120	1346	1346	930	2375	1995					
28	700	1448	1448	850	2270	2160	1499	1499	1163	2660	2260					
30	750	1524	1524	1065	2575	2446	1594	1594	1120	3480	3320					
32	800	1700	1700	1150	2430	2130	1700	1700	1170	4000	3690					
34	850	1871	1871	1190	2780	2620	1955	1955	1230	4950	4750					
36	900	1956	1956	1225	3130	2930	2083	2083	1250	5350	5100					

All dimensions in mm and weights in kg