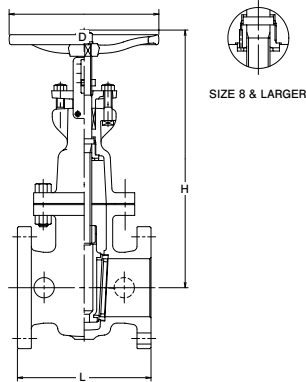
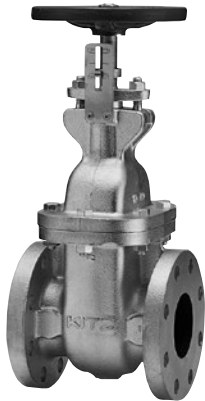


Fig. 125FCWI

- Bronze trim



Materials

Parts	Material	ASTM Spec.
Body	Cast Iron	FC200
Bonnet	Cast Iron	FC300
Stem	Forged Brass	C3771
Disc	Cast Iron	FC300
Disc seat ring	Cast Bronze	CAC
Gland	Ductile Iron	FCD-5
Gland packing	Non-Asbestos Packing	
Gasket	Non-Asbestos Sheet Gasket	
Gland bolt/nut	Carbon Steel	
Bonnet bolt/nut	Carbon Steel	
Body seat ring	Cast Bronze	CAC406
Bonnet bushing	Cast Bronze	CAC406
Handwheel	Cast Iron	

For Class 125 Valves Pressure-Temperature Ratings, refer to page 2.

Dimensions

Valve Size	NPS	2	2 1/2	3	4	5	6	8	10	12	mm
	DN	50	65	80	100	125	150	200	250	300	
L Face-to-face		178	190	203	229	254	267	292	330	356	
H Height		250	285	350	400	465	515	630	760	870	
D Diameter		140	160	160	180	225	225	300	350	350	