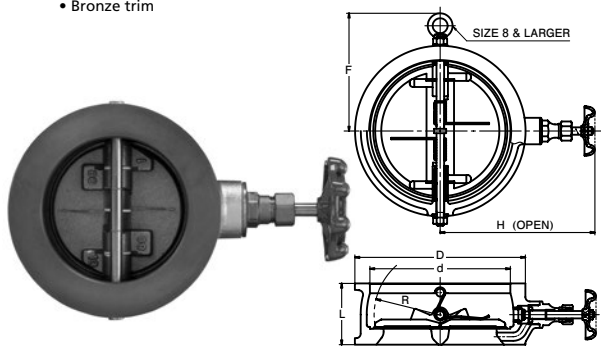


10K

WAFER TYPE CHECK VALVE

Fig. 10FWZ

- Bronze trim



Materials

Parts	Material	JIS Spec.
Body	Cast Iron	FC250+NBR
Pin	Stainless Steel	304SS
Disc	Bronze	CAC406
Nut 6 to 18	Stainless Steel	304SS
Plug 11/2 to 5	Carbon Steel	S45CH

Bypass Valve

Parts	Material	JIS Spec.
Bonnet 11/2 to 5	Brass	C3771
6 to 18	Bronze	CAC406
Stem	Brass	C3531
Disc	Brass	C3531
Body seat ring	Brass	C3531
Grand packing	Asbestos-free	

Design Specifications

Items	
Shell wall thickness and general valve design	KITZ Standard
Face-to-face dimensions, end-to-end dimensions	KITZ Standard
End flange dimensions, gasket contact facing	Wafer Type (JIS 10K)

80°C Non-shock water: 1.4 MPa

80°C Water, oil, air: 1.0 MPa

Dimensions

Valve Size	B	1 1/2	2	2 1/2	3	4	5	6	8	10	12	14	16	18
	A	40	50	65	80	100	125	150	200	250	300	350	400	450
L		54	56	56	59	66	72	78	96	109	145	184	191	204
H Height (OPEN)		128	143	150	156	169	183	216	243	290	315	330	355	388
F		—	—	—	—	—	—	—	187	229	254	272	301	338
D		86	101	121	131	156	187	217	267	330	375	420	483	538
d		54	63	77	90	116	143	169	220	273	324	356	406	457
R		26	33	37	44	55	67	78	105	129	155	170	195	220

mm