

PN16

IRON SWING CHECK VALVE

Bolted cover, Swing type disc, Flanged ends.

16 bar at 120°C, 12.8 bar at 200°C, P-T rating : See page 01

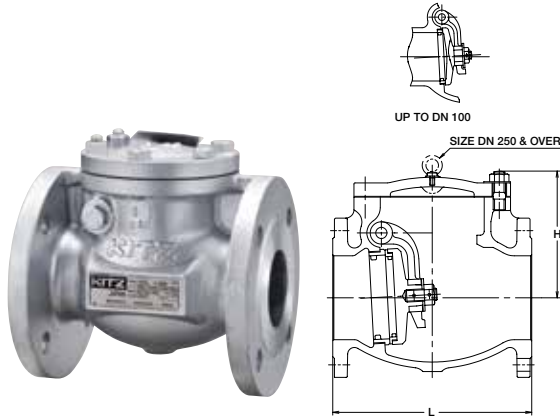


Fig. EN16FCO

• Bronze trim

Fig. EN16FCOM

• Stainless steel trim

Materials

Parts	Material	Specifications	
		EN16 FCO	EN16FCOM
Body	Cast Iron	EN-GJL-200	
Cover	Cast Iron	EN-GJL-200	
Hinge pin	Stainless Steel	ASTM A276 Type403	ASTM A276 Type316
Disc	DN 50 to 100	JIS H5120 CAC406	ASTM A276 Type316
	DN 125 to 300	EN-GJL-200	
Disc seat ring	Cast Bronze	JIS H5120 CAC406	ASTM A182 Gr.F316
Body seat ring	Cast Bronze	JIS H5120 CAC406	ASTM A182 Gr.F316
Arm	Stainless Steel	ASTM A351 Gr.CF8	
Gasket		Graphite	
Cover bolt/nut		Carbon Steel	
Plug		Carbon Steel	

Design Specifications

Items	
Shell wall thickness	KITZ Standard
Face-to-face or End-to-end dimensions	EN 558 PN16 Basic Series 10
End Connection	EN 1092-2 PN16

Dimensions

Valve Size	NPS	2	2½	3	4	5	6	8	10	12	mm
	DN	50	65	80	100	125	150	200	250	300	
L Face-to-face		203	216	241	292	330	356	495	622	698	
H Height		111	121	145	165	207	225	268	315	356	

PN25

IRON SWING CHECK VALVE

Bolted cover, Swing type disc, Flanged ends.

25Bar/2.5MPa, W.O.G – 10~120°C Saturated Steam

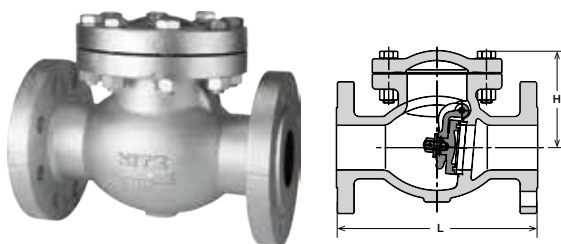


Fig. (PHOX)EN25FCOE

Materials

Parts	Material	Specifications
Body	Cast Iron	EN1561 EN-GJL-250
Cover	Cast Iron	EN1561 EN-GJL-250
Hinge Pin	Stainless Steel	BS970 304S15
Disc	Cast Iron	EN1561 EN-GJL-250
Body Seat ring	Cast Bronze	BS1400 LG2
Disc Seat ring	Cast Bronze	BS1400 LG2
Arm	Ductile Cast Iron	EN1563 EN-GJS-450-10
Gasket		Teflon
Cover bolt/nut		Carbon Steel
Plug		Forged Brass

Design Specifications

Items	
Shell wall thickness and general valve design	Manufacturers standard
Face-to-face/End-to-end dimensions	EN558-1 series 4
End flange dimensions Gasket contact facing	EN1092-2 PN25

Dimensions

Valve Size	NPS	2	2½	3	4	5	6	8	10	12	mm
	DN	50	65	80	100	125	150	200	250	300	
L Face-to-face		267	292	318	356	400	444	533	622	711	
H Height		135	150	166	190	206	244	291	337	383	

PN16

IRON WAFER CHECK VALVE

Dual plate, No by-pass valve mounted,
Wafer type body to PN16

16 bar at 80°C Non-shock water (NBR seat) 16 bar at 100°C Non-shock water (EPDM seat)

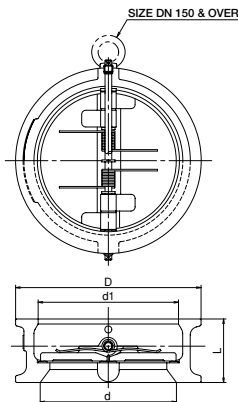


Fig. PN16FWNB

• NBR seat

Fig. PN16FWNBME

• EPDM seat



Materials

Parts	Material	ASTM Spec.	
		PN16FWNB	PN16FWNBME
Body	Cast iron	A126 CL.B	
Seat*	Rubber	NBR	EPDM
Disc**	Stainless steel	A351 Gr.CF8M	
Pin	Stainless steel	A276 Type 304	
Plug	Stainless steel	A276 Type 304	
Spring	Stainless steel	A313 Type 316	

*Vulcanized to the body.

**Bronze disc & 304SS disc available upon request.

Design Specifications

Items	
Shell Wall thickness	KITZ Standard
Face-to-face or End-to-end dimensions	KITZ Standard
End Connection	Wafer type(EN1092 PN16)

Dimensions

Valve Size	NPS	2	2 1/2	3	4	5	6	8	10	12
	DN	50	65	80	100	125	150	200	250	300
L		54	54	57	64	70	76	95	108	143
D		109	129	144	164	194	220	275	331	386
d1		60	73	89	114	141	168	219	273	324
d		55	68	82	112	134	163	207	263	305