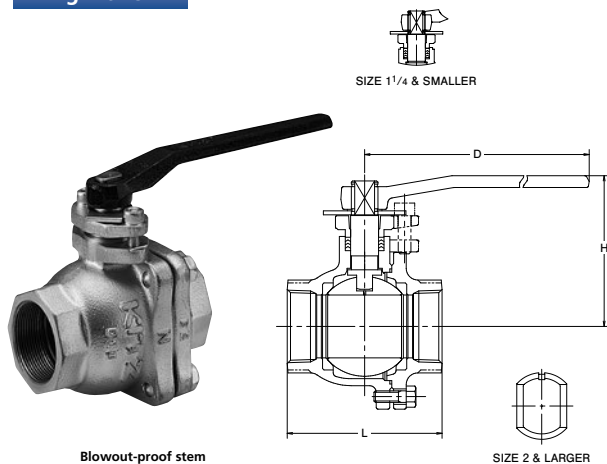


# 10K

## THREADED BALL VALVE (Full Bore)

Fig. 10FCT



### Materials

Parts	Material	JIS Spec.
Body	Cast Iron	FC200
Body cap	Cast Iron	FC200
Stem	Stainless Steel	403SS
Ball	Stainless Steel	304SS
Grand packing	PTFE	
Gasket	PTFE	
Ball seat	PTFE	
Cap bolt/nut	Carbon Steel	
Handle	Ductile Iron	FCD400-15

### Design Specifications

Items	
Shell wall thickness and general valve design	KITZ Standard
Face-to-face dimensions, end-to-end dimensions	KITZ Standard
Threaded ends	JIS B0203

For Pressure-Temperature Ratings, refer to individual catalog(No.E-201).

### Dimensions

Valve Size	B	3/8	1/2	3/4	1	1 1/4	1 1/2	2	2 1/2	3	mm
	A										
L Face-to-face	10	72	80	85	95	120	120	140	160	182	
H Height		71	102	105	125	130	115	120	155	165	
D Handle		130	130	130	160	160	230	230	400	400	