

# Cast Carbon Steel Globe Valve

Bolted bonnet, Outside screw-and-yoke, Rising stem handwheel, Swivel disc.

Class 150

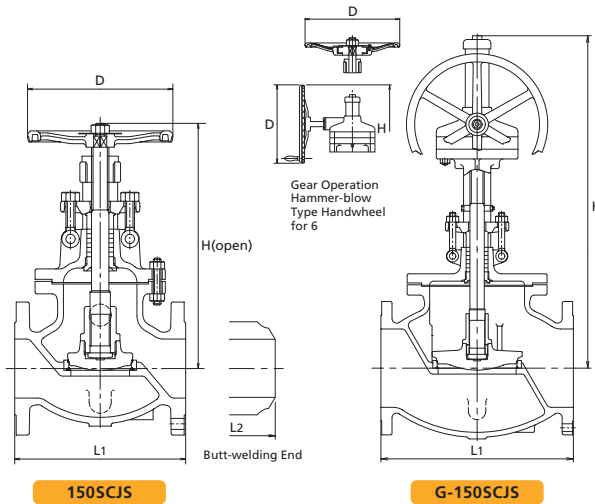


Fig	End Connections
(G-)150SCJS	RF-flanged ends.
(G-)W150SCJS	Butt-welding ends.

## Standard materials of parts

Parts	Materials
Body	ASTM A216 Gr.WCB
Bonnet	ASTM A216 Gr.WCB
Stem	403SS
Disc	•403SS or A217 Gr.CA15 or A216 Gr.WCB+13Cr (Size 1-1/2-5) •A105+13Cr or A216 Gr.WCB+13Cr (Size 6 only) •A105+13Cr (Up to Size 12) •A216 Gr.WCB+13Cr (Size 14 & over)
Lock nut	403SS
Body seat ring	Carbon Steel+HF*
Gland	403SS
Gland packing	Flexible Graphite
Gland flange	Carbon Steel/Cast Steel
Handwheel	Ductile iron
Gasket	See Page 5
Bonnet bolt/nut	ASTM A193 Gr.B7/A194 Gr.2H
Gland bolt/nut	Carbon Steel
Bonnet bushing	403SS
Yoke bush	Ductile Ni-Resist

\*Hard facing with Co-Cr-W Alloy.  
Note: Refer to Page 2&4 for standard seat material and construction.

## Dimensions

Nominal Size	Nominal Size													
	1 1/2 40	2 50	2 1/2 65	3 80	4 100	5 125	6 150	8 200	10 250	12 300	14 350	16 400	18 450	
L <sub>1</sub>	in	6.50	7.99	8.50	9.49	11.5	14.0	15.9	19.5	24.5	27.5	31.0	35.9	38.5
	mm	165	203	216	241	292	356	406	495	622	698	787	914	978
L <sub>2</sub>	in	—	7.99	8.50	9.49	11.5	14.0	15.9	19.5	24.5	37.5	31.0	35.9	38.5
	mm	—	203	216	241	292	356	406	495	622	698	787	914	978
H*	in	13.0	13.0	14.9	15.3	18.0	19.1	20.2	36.6	38.4	41.3	43.5	48.2	50.2
	mm	331	331	379	389	458	484	513	929	975	1049	1106	1224	1275
D	in	7.90	7.90	9.80	9.80	9.80	11.8	13.8	15.7	19.7	19.7	19.7	23.6	23.6
	mm	200	200	250	250	250	300	350	500	500	500	500	600	600

\*Size 8 and larger : Gear operation type.  
Refer to "Standard Product Range" on page 01.

Class 300

Bolted bonnet, Outside screw-and-yoke, Rising stem handwheel, Swivel disc.

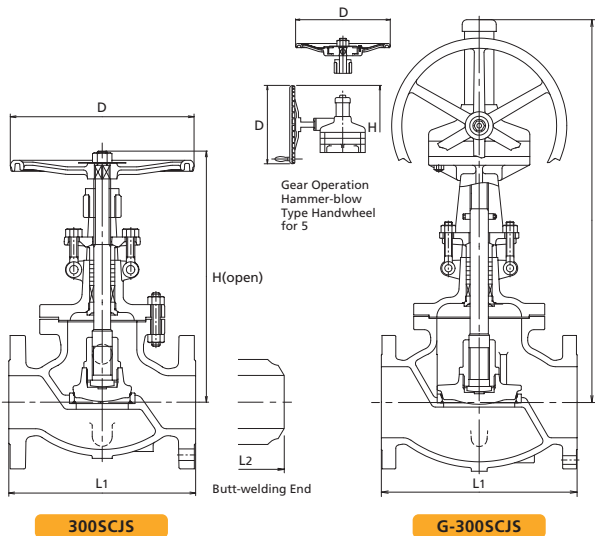


Fig	End Connections
(G-)300SCJS	RF-flanged ends.
(G-)W300SCJS	Butt-welding ends.

## Standard materials of parts

Parts	Materials
Body	ASTM A216 Gr.WCB
Bonnet	ASTM A216 Gr.WCB
Stem	403SS
Disc	403SS or A217 Gr.CA15 or A216 Gr.WCB+13Cr or A105+13Cr
Lock nut	403SS
Body seat ring	Carbon Steel+HF*
Gland	403SS
Gland packing	Flexible Graphite
Gland flange	Carbon Steel/Cast Steel
Handwheel	Ductile iron
Gasket	See Page 5
Bonnet bolt/nut	ASTM A193 Gr.B7/A194 Gr.2H
Gland bolt/nut	Carbon Steel
Bonnet bushing	403SS
Yoke bush	Ductile Ni-Resist

\*Hard facing with Co-Cr-W Alloy.  
Note: Refer to Page 2&4 for standard seat material and construction.

## Dimensions

Nominal Size	Nominal Size												
	1 1/2 40	2 50	2 1/2 65	3 80	4 100	5 125	6 150	8 200	10 250	12 300	14 350	16 400	
L <sub>1</sub>	in	9.02	10.5	11.5	12.5	14.0	15.8	17.5	22.0	24.5	28.0	33.0	34.0
	mm	229	267	292	318	356	400	444	559	622	711	838	864
L <sub>2</sub>	in	—	10.5	11.5	12.5	14.0	15.8	17.5	22.0	24.5	28.0	33.0	34.0
	mm	—	267	292	318	356	400	444	559	622	711	838	864
H*	in	14.2	14.2	16.9	17.2	20.0	24.0	38.9	41.9	45.0	46.7	57.1	55.5
	mm	361	361	428	436	509	610	989	1064	1142	1187	1450	1410
D	in	7.90	7.90	9.80	9.80	13.8	15.7	17.7	19.7	23.6	23.6	23.6	23.6
	mm	200	200	250	250	350	400	500	500	600	600	600	600

\*Size 6 and larger : Gear operation type.  
Refer to "Standard Product Range" on page 01.

# Cast Carbon Steel Globe Valve

Bolted bonnet, Outside screw-and-yoke, Rising stem handwheel, Swivel disc.

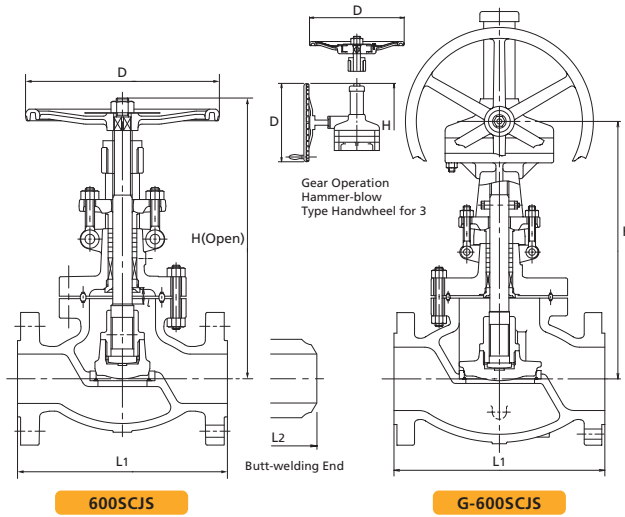


Fig	End Connections
(G-)600SCJS	RF-flanged ends.
(G-)WV600SCJS	Butt-welding ends.

## Standard materials of parts

Parts	Materials
Body	ASTM A216 Gr.WCB
Bonnet	ASTM A216 Gr.WCB
Stem	403SS
Disc	•403SS or A217 Gr.CA15 or A216 Gr.WCB+13Cr •403SS (Size 4 only) A105+13Cr (Size 6-10) A216 Gr.WCB+13Cr (Size 12 only)
Lock nut	403SS
Body seat ring	Carbon Steel+HF*
Gland	403SS
Gland packing	Flexible Graphite
Gland flange	Carbon Steel/Cast Steel
Handwheel	Ductile iron
Gasket	See Page 5
Bonnet bolt/nut	ASTM A193 Gr.B7/A194 Gr.2H
Gland bolt/nut	Carbon Steel or Alloy Steel
Bonnet bushing	403SS
Yoke bush	Ductile Ni-Resist

\*Hard facing with Co-Cr-W Alloy.  
Note: Refer to Page 2&4 for standard seat material and construction.

## Dimensions

Nominal Size		2	2½	3	4	5	6	8	10	12
		50	65	80	100	125	150	200	250	300
L <sub>1</sub>	in	11.5	13.0	14.0	17.0	20.0	22.0	26.0	31.0	33.0
	mm	292	330	356	432	508	559	660	787	838
L <sub>2</sub>	in	11.5	13.0	14.0	17.0	20.0	22.0	26.0	31.0	33.0
	mm	292	330	356	432	508	559	660	787	838
H*	in	16.0	18.7	20.0	35.3	36.6	39.1	44.1	55.9	62.0
	mm	406	474	508	897	930	993	1121	1420	1575
D	in	9.80	11.8	13.8	19.7	19.7	19.7	23.6	23.6	24.0
	mm	250	300	350	500	500	500	600	610	610

\*Size 4 and larger : Gear operation type.  
Refer to "Standard Product Range" on page 01.

Bolted bonnet, Outside screw-and-yoke, Rising stem, Swivel disc.

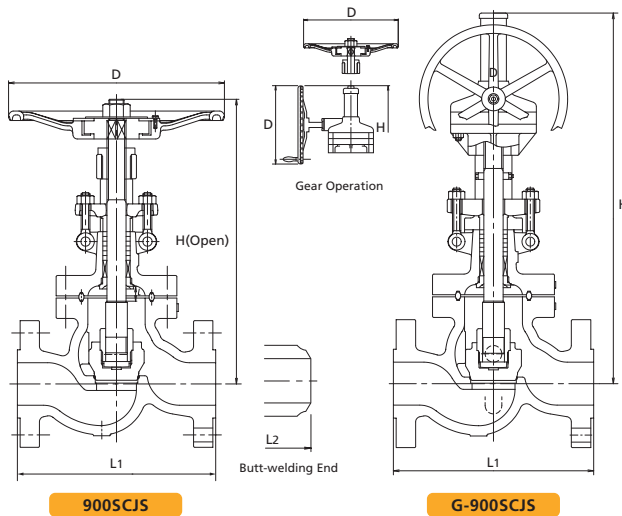


Fig	End Connections
(G-)900SCJS	RF-flanged ends.
(G-)WV900SCJS	Butt-welding ends.

## Standard materials of parts

Parts	Materials
Body	ASTM A216 Gr.WCB+HF*
Bonnet	ASTM A216 Gr.WCB
Stem	403SS
Disc	403SS (Size 3&4) A105+13Cr (Size 6&8)
Lock nut	403SS
Gland	403SS
Gland packing	Flexible Graphite
Gland flange	Carbon Steel
Gasket	See Page 5
Bonnet bolt/nut	ASTM A193 Gr.B7/A194 Gr.2H
Gland bolt/nut	Carbon Steel
Bonnet bushing	403SS
Yoke bush	Ductile Ni-Resist

\*Hard facing with Co-Cr-W Alloy.  
Note: Refer to Page 2&4 for standard seat material and construction.

## Dimensions

Nominal Size		3	4	6	8
		80	100	150	200
L <sub>1</sub>	in	15.0	18.0	24.0	29.0
	mm	381	457	610	737
L <sub>2</sub>	in	15.0	18.0	24.0	29.0
	mm	381	457	610	737
H*	in	35.4	37.7	46.2	54.4
	mm	900	957	1173	1381
D	in	19.7	19.7	23.6	23.6
	mm	500	500	600	600

\*Gear operation type.

# Cast Carbon Steel Globe Valve

Bolted bonnet, Outside screw-and-yoke, Rising stem handwheel, Swivel disc.

Class 1500

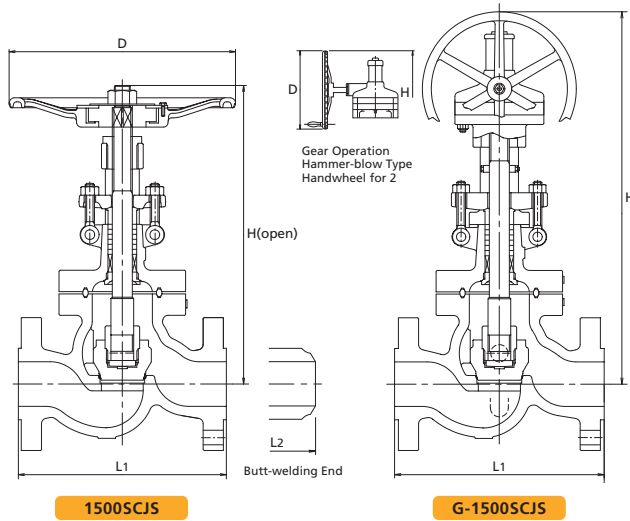


Fig	End Connections
(G-)1500SCJS	RF-flanged ends.
(G-)W1500SCJS	Butt-welding ends.

## Standard materials of parts

Parts	Materials
Body	ASTM A216 Gr.WCB+HF*
Bonnet	ASTM A216 Gr.WCB
Stem	403SS
Disc	403SS (Size 2-1/2-4) A105+13Cr' (Size 6-8)
Lock nut	403SS
Gland	403SS
Gland packing	Flexible Graphite
Gland flange	Carbon Steel
Handwheel	Ductile iron
Gasket	See Page 5
Bonnet bolt/nut	ASTM A193 Gr.B7/A194 Gr.2H
Gland bolt/nut	Carbon Steel
Bonnet bushing	403SS
Yoke bush	Ductile Ni-Resist

\*Hard facing with Co-Cr-W Alloy.  
Note: Refer to Page 2&4 for standard seat material and construction.

## Dimensions

Nominal Size		2	2 1/2	3	4	6	8
		50	65	80	100	150	200
L <sub>1</sub>	in	14.5	16.5	18.5	21.5	27.8	32.8
	mm	368	419	470	546	705	832
L <sub>2</sub>	in	14.5	16.5	18.5	21.5	27.8	32.8
	mm	368	419	470	546	705	832
H*	in	21.3	36.2	38.0	43.4	53.8	55.1
	mm	540	920	964	1102	1366	1400
D	in	13.8	19.7	19.7	23.6	23.6	24.0
	mm	350	500	500	600	600	610

\*Size 2 1/2 and larger : Gear operation type.  
Refer to "Standard Product Range" on page 01.