

Cast Carbon Steel Globe Valve

Bolted bonnet, Outside screw-and-yoke, Rising stem handwheel, Swivel disc.

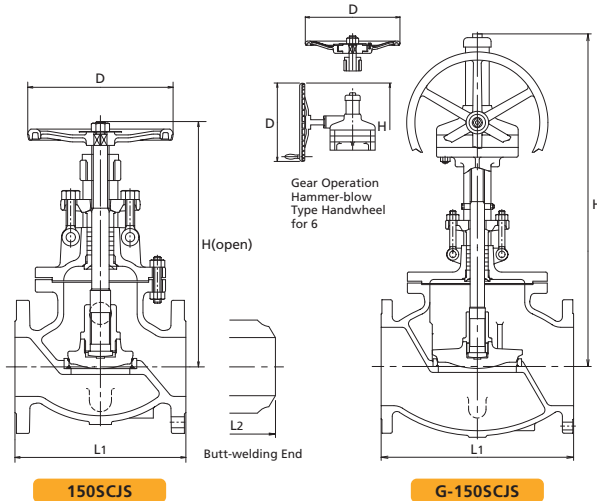


Fig	End Connections
(G-)150SCJS	RF-flanged ends.
(G-)W150SCJS	Butt-welding ends.

Standard materials of parts

Parts	Materials
Body	ASTM A216 Gr.WCB
Bonnet	ASTM A216 Gr.WCB
Stem	403SS
Disc	*403SS or A217 Gr.CA15 or A216 Gr.WCB+13Cr (Size 1-1/2-5) *A105+13Cr or A216 Gr.WCB+13Cr (Size 6 only) *A105+13Cr (Up to Size 12) *A216 Gr.WCB+13Cr (Size 14 & over)
Lock nut	403SS
Body seat ring	Carbon Steel+HF*
Gland	403SS
Gland packing	Flexible Graphite
Gland flange	Carbon Steel/Cast Steel
Handwheel	Ductile iron
Gasket	See Page 5
Bonnet bolt/nut	ASTM A193 Gr.B7/A194 Gr.2H
Gland bolt/nut	Carbon Steel
Bonnet bushing	403SS
Yoke bush	Ductile Ni-Resist

*Hard facing with Co-Cr-W Alloy.

Note: Refer to Page 2&4 for standard seat material and construction.

Dimensions

Nominal Size	Nominal Size													
	1 1/2	2	2 1/2	3	4	5	6	8	10	12	14	16	18	
	40	50	65	80	100	125	150	200	250	300	350	400	450	
L ₁	in	6.50	7.99	8.50	9.49	11.5	14.0	15.9	19.5	24.5	27.5	31.0	35.9	38.5
	mm	165	203	216	241	292	356	406	495	622	698	787	914	978
L ₂	in	—	7.99	8.50	9.49	11.5	14.0	15.9	19.5	24.5	37.5	31.0	35.9	38.5
	mm	—	203	216	241	292	356	406	495	622	698	787	914	978
H*	in	13.0	13.0	14.9	15.3	18.0	19.1	20.2	36.6	38.4	41.3	43.5	48.2	50.2
	mm	331	331	379	389	458	484	513	929	975	1049	1106	1224	1275
D	in	7.90	7.90	9.80	9.80	9.80	11.8	13.8	15.7	19.7	19.7	19.7	23.6	23.6
	mm	200	200	250	250	250	300	350	500	500	500	500	600	600

*Size 8 and larger : Gear operation type.
Refer to "Standard Product Range" on page 01.