

Cast Carbon Steel Gate Valve

Bolted bonnet, Outside screw-and-yoke, Rising stem, Non-rising handwheel, Solid wedge (Nominal Size 2 to 4) or Flexible wedge (Nominal Size 6 & larger).

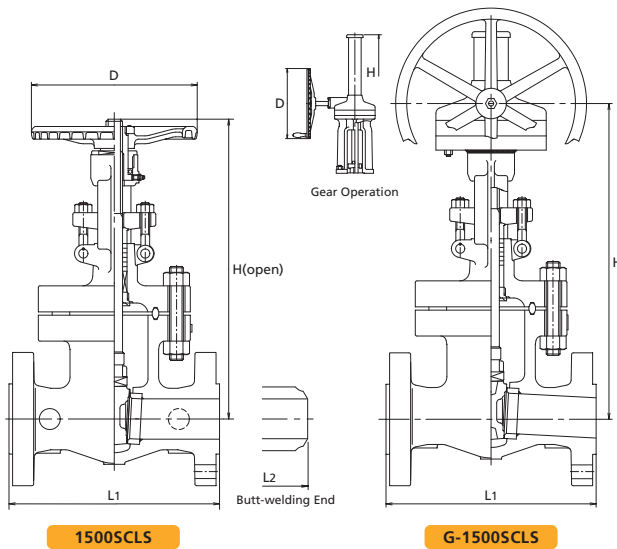


Fig	End Connections
(G-)1500SCLS	RF-flanged ends.
(G-)W1500SCLS	Butt-welding ends.

Standard materials of parts

Parts	Materials
Body	ASTM A216 Gr.WCB
Bonnet	ASTM A216 Gr.WCB
Stem	403SS
Disc	403SS (Up to Size 4) A216 Gr.WCB+13Cr (Size 6 & over)
Body seat ring	Carbon Steel+HF*
Gland	403SS
Gland packing	Flexible Graphite
Gland flange	Carbon Steel
Handwheel	Ductile iron
Gasket	See Page 5
Bonnet bolt/nut	ASTM A193 Gr.B7/A194 Gr.2H
Gland bolt/nut	Carbon Steel
Bonnet bushing	403SS
Yoke sleeve	Ductile Ni-Resist
Grease nipple	Carbon steel

*Hard facing with Co-Cr-W Alloy.
Note: Refer to Page 2&4 for standard seat material and construction.

Dimensions

Nominal Size		2	2½	3	4	6	8	10	12	14	16
		50	65	80	100	150	200	250	300	350	400
L ₁	in	14.5	16.5	18.5	21.5	27.8	32.8	39.0	44.5	49.5	54.5
	mm	368	419	470	546	705	832	991	1130	1257	1384
L ₂	in	14.5	16.5	18.5	21.5	27.8	32.8	39.0	44.5	49.5	54.5
	mm	368	419	470	546	705	832	991	1130	1257	1384
H*	in	22.0	25.0	27.0	30.4	40.6	49.1	58.1	65.2	68.9	81.1
	mm	559	635	685	772	1031	1248	1475	1656	1750	2060
D	in	9.80	11.8	13.8	15.7	23.6	26.8	35.8	35.8	23.6	24.0
	mm	250	300	350	400	600	680	910	910	600	610

*Size 14 and larger : Gear operation type.
Refer to "Standard Product Range" on page 01.