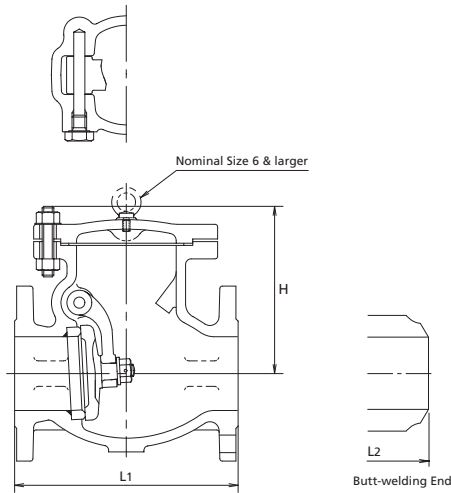


Cast Carbon Steel Check Valve

Bolted cover, Swing type disc.



150SCOS

Fig	End Connections
150SCOS	RF-flanged ends.
W150SCOS	Butt-welding ends.

Standard materials of parts

Parts	Materials
Body	ASTM A216 Gr.WCB
Cover	ASTM A105/A216 Gr.WCB
Disc	•403SS or A217 Gr.CA15 or A216 Gr.WCB+13Cr (Size 1-1/2-4) •403SS or A216 Gr.WCB+13Cr (Size 5-6) •A216 Gr.WCB+13Cr (Size 8-30)
Disc nut	ASTM A194 Gr.8
Body seat ring	Carbon Steel+HF*
Cover bolt/nut	ASTM A193 Gr.B7/A194 Gr.2H
Arm	ASTM A216 Gr.WCB or A105
Gasket	See Page 5
Plug	S45c

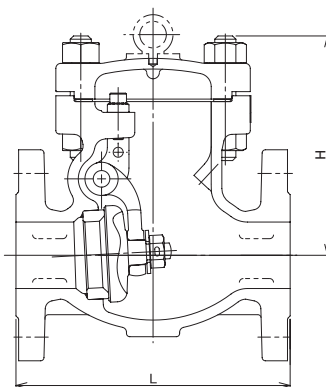
*Hard facing with Co-Cr-W Alloy.
Note: Refer to Page 2&4 for standard seat material and construction.

Dimensions

Nominal Size	Nominal Size																		
	1/2	2	2 1/2	3	4	5	6	8	10	12	14	16	18	20	24	26	28	30	
	40	50	65	80	100	125	150	200	250	300	350	400	450	500	600	650	700	750	
L ₁	in	6.50	7.99	8.50	9.49	11.5	13.0	14.0	19.5	24.5	27.5	31.0	34.0	38.5	38.5	51.0	51.0	57.0	60.0
	mm	165	203	216	241	292	330	356	495	622	698	787	864	978	978	1295	1295	1448	1524
L ₂	in	—	7.99	8.50	9.49	11.5	13.0	14.0	19.5	24.5	27.5	31.0	34.0	38.5	38.5	51.0	51.0	57.0	60.0
	mm	—	203	216	241	292	330	356	495	622	698	787	864	978	978	1295	1295	1448	1524
H	in	5.20	6.14	6.61	7.28	8.27	9.41	9.84	11.5	13.4	14.8	16.3	17.9	20.0	23.0	26.4	29.1	31.9	34.3
	mm	132	156	168	185	210	239	250	293	340	375	415	455	508	585	670	740	810	871

Refer to "Standard Product Range" on page 01.

Bolted cover, Swing type disc.



150SCOHS

Fig	End Connections
150SCOHS	RF-flanged ends.

Standard materials of parts

Parts	Materials
Body	ASTM A216 Gr.WCB
Cover	ASTM A105/A216 Gr.WCB
Disc	•403SS or A217Gr.CA15 or A216 Gr.WCB+13Cr (Size 1-1/2-4) •403SS or A216 Gr.WCB+13Cr (Size 6) •A216 Gr.WCB+13Cr (Size 8-18)
Disc nut	ASTM A194 Gr.8
Body seat ring	Carbon Steel+HF*
Cover bolt/nut	ASTM A193 Gr.B7/A194 Gr.2H
Arm	ASTM A105/A216 Gr.WCB
Gasket	See Page 5
Hinge Pin Holder	ASTM A216 Gr.WCB**

*Hard facing with Co-Cr-W Alloy.
**Size 1/2 to 6
Note: Refer to Page 2&4 for standard seat material and construction.

Dimensions

Nominal Size	Nominal Size												
	1/2	2	2 1/2	3	4	6	8	10	12	14	16	18	
	40	50	65	80	100	150	200	250	300	350	400	450	
L	in	6.50	7.99	8.50	9.49	11.5	14.0	19.5	24.5	27.5	31.0	34.0	38.5
	mm	165	203	216	241	292	356	495	622	698	787	864	978
H	in	5.20	6.14	6.61	7.28	8.27	9.84	11.5	13.4	14.8	16.3	17.9	20.0
	mm	132	156	168	185	210	250	293	340	375	415	455	508

Refer to "Standard Product Range" on page 01.

Cast Carbon Steel Check Valve

Bolted cover, Swing type disc.

Class 300

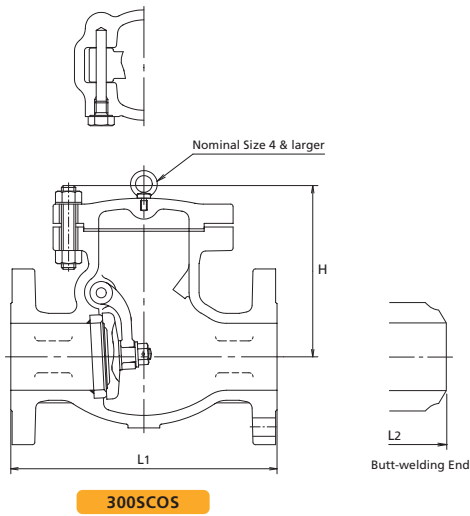


Fig	End Connections
300SCOS	RF-flanged ends.
W300SCOS	Butt-welding ends.

Standard materials of parts

Parts	Materials
Body	ASTM A216 Gr.WCB
Cover	ASTM A105/A216 Gr.WCB
Disc	<ul style="list-style-type: none"> •403SS or A217 Gr.CA15 or A216 Gr.WCB+13Cr (Size 1-1/2-4) •403SS or A216 Gr.WCB+13Cr (Size 5-6) •A216 Gr.WCB+13Cr (Size 8-30)
Disc nut	ASTM A194 Gr.8
Body seat ring	Carbon Steel+HF*
Cover bolt/nut	ASTM A193 Gr.B7/A194 Gr.2H
Arm	ASTM A216 Gr.WCB or A105
Gasket	See Page 5
Plug	Carbon Steel

*Hard facing with Co-Cr-W Alloy.
 Note: Refer to Page 2&4 for standard seat material and construction.

Dimensions

Nominal Size		1 1/2	2	2 1/2	3	4	5	6	8	10	12	14	16	18	20	24	28	30
		40	50	65	80	100	125	150	200	250	300	350	400	450	500	600	700	750
L ₁	in	9.49	10.5	11.5	12.5	14.0	15.7	17.5	21.0	24.5	28.0	33.0	34.0	38.5	40.0	53.0	59.0	62.8
	mm	241	267	292	318	356	400	444	533	622	711	838	864	978	1016	1346	1499	1594
L ₂	in	—	10.5	11.5	12.5	14.0	15.7	17.5	21.0	24.5	28.0	33.0	34.0	38.5	40.0	53.0	59.0	62.8
	mm	—	267	292	318	356	400	444	533	622	711	838	864	978	1016	1346	1499	1594
H	in	6.10	6.46	7.48	8.07	9.06	9.84	11.0	13.0	14.6	16.3	19.3	21.4	23.0	25.4	34.1	36.6	38.4
	mm	155	164	190	205	230	250	280	330	370	415	491	543	584	645	865	930	975

Refer to "Standard Product Range" on page 01.

Bolted cover, Swing type disc.

Class 300

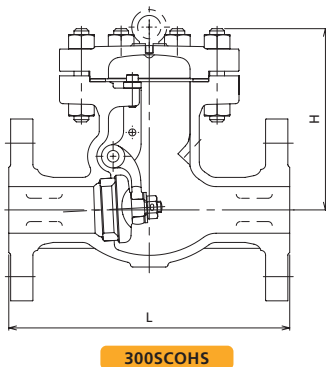


Fig	End Connections
300SCOHS	RF-flanged ends.

Standard materials of parts

Parts	Materials
Body	ASTM A216 Gr.WCB
Cover	ASTM A105/A216 Gr.WCB
Disc	<ul style="list-style-type: none"> •403SS or A217 Gr.CA15 or A216 Gr.WCB+13Cr (Size 1-1/2-4) •403SS or A216 Gr.WCB+13Cr (Size 6) •A216 Gr.WCB+13Cr (Size 8-16)
Disc nut	ASTM A194 Gr.8
Body seat ring	Carbon Steel+HF*
Cover bolt/nut	ASTM A193 Gr.B7/A194 Gr.2H
Arm	ASTM A105/A216 Gr.WCB
Gasket	See Page 5
Hinge Pin Holder	ASTM A216 Gr.WCB**

*Hard facing with Co-Cr-W Alloy.
 **Size 1 1/2 to 6
 Note: Refer to Page 2&4 for standard seat material and construction.

Dimensions

Nominal Size		1 1/2	2	2 1/2	3	4	6	8	10	12	14	16
		40	50	65	80	100	150	200	250	300	350	400
L	in	9.49	10.5	11.5	12.5	14.0	17.5	21.0	24.5	28.0	33.0	34.0
	mm	241	267	292	318	356	444	533	622	711	838	864
H	in	6.10	6.46	7.48	8.07	9.06	11.0	13.0	14.6	16.3	19.3	21.4
	mm	155	164	190	205	230	280	330	370	415	491	543

Refer to "Standard Product Range" on page 01.

Cast Carbon Steel Check Valve

Bolted cover, Swing type disc.

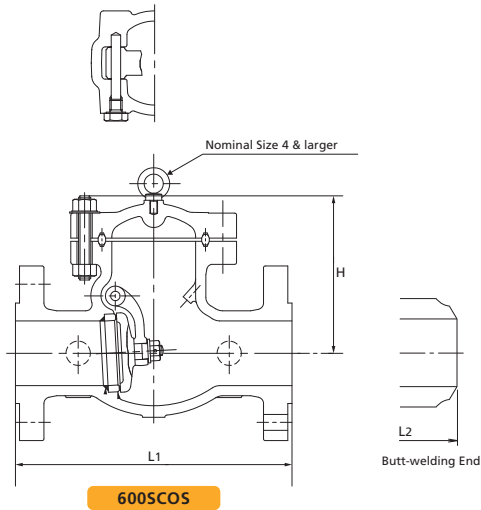


Fig	End Connections
600SCOS	RF-flanged ends.
W600SCOS	Butt-welding ends.

Standard materials of parts

Parts	Materials
Body	ASTM A216 Gr.WCB
Cover	ASTM A216 Gr.WCB
Disc	•A217 Gr.CA15 (Size 2-4) •4035S (Size 5-6) •A216 Gr.WCB+13Cr (Size 8-24)
Disc nut	ASTM A194 Gr.8
Body seat ring	A105+HF
Cover bolt/nut	ASTM A193 Gr.B7/A194 Gr.2H
Arm	ASTM A216 Gr.WCB
Gasket	See page 5
Plug	S45C

*Hard facing with Co-Cr-W Alloy.
Note: Refer to Page 2&4 for standard seat material and construction.

Dimensions

Nominal Size		2	2½	3	4	6	8	10	12	14	16	18	20	24
		50	65	80	100	150	200	250	300	350	400	450	500	600
L ₁	in	11.5	13.0	14.0	17.0	22.0	26.0	31.0	33.0	35.0	39.0	43.0	47.0	55.0
	mm	292	330	356	432	559	660	787	838	889	991	1092	1194	1397
L ₂	in	11.5	13.0	14.0	17.0	22.0	26.0	31.0	33.0	35.0	39.0	43.0	47.0	55.0
	mm	292	330	356	432	559	660	787	838	889	991	1092	1194	1397
H	in	7.28	8.31	8.82	10.1	13.1	14.6	17.0	20.0	22.4	24.4	25.7	28.9	35.9
	mm	185	211	224	257	332	372	432	507	568	620	654	733	913

Refer to "Standard Product Range" on page 01.

Bolted cover, Swing type disc.

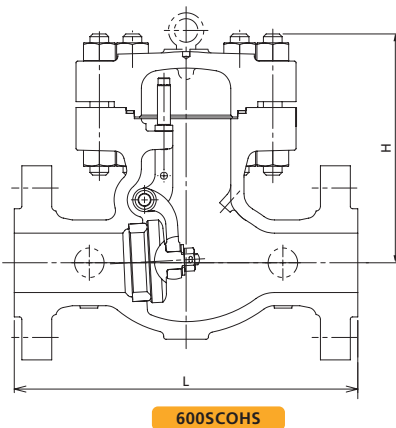


Fig	End Connections
600SCOHS	RF-flanged ends.

Standard materials of parts

Parts	Materials
Body	ASTM A216 Gr.WCB
Cover	ASTM A216 Gr.WCB
Disc	•4035S or A217 Gr.CA15 or A216 Gr.WCB+13Cr (Size 2-4) •4035S or A216 Gr.WCB+13Cr (Size 6) •A216 Gr.WCB+13Cr (Size 8-12)
Disc nut	ASTM A194 Gr.8
Body seat ring	Carbon Steel+HF*
Cover bolt/nut	ASTM A193 Gr.B7/A194 Gr.2H
Arm	ASTM A105/A216 Gr.WCB
Gasket	See Page 5
Hinge Pin Holder	ASTM A216 Gr.WCB**

*Hard facing with Co-Cr-W Alloy.
**Size 1½ to 6
Note: Refer to Page 2&4 for standard seat material and construction.

Dimensions

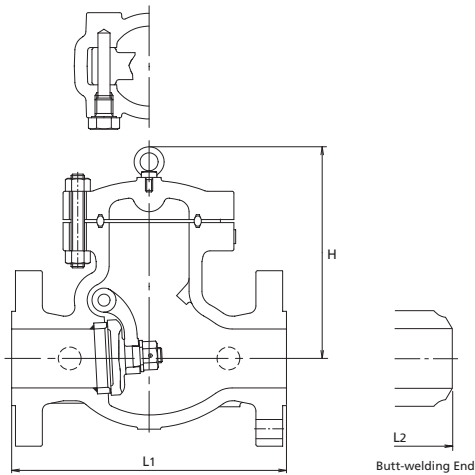
Nominal Size		2	2½	3	4	6	8	10	12
		50	65	80	100	150	200	250	300
L	in	11.5	13.0	14.0	17.0	22.0	26.0	31.0	33.0
	mm	292	330	356	432	559	660	787	838
H	in	7.68	8.50	9.45	10.0	13.3	15.1	17.6	20.0
	mm	195	216	240	255	338	383	447	508

Refer to "Standard Product Range" on page 01.

Cast Carbon Steel Check Valve

Bolted cover, Swing type disc.

Class 900



900SCOS

Fig	End Connections
900SCOS	RF-flanged ends.
W900SCOS	Butt-welding ends.

Standard materials of parts

Parts	Materials
Body	ASTM A216 Gr.WCB
Cover	ASTM A216 Gr.WCB
Disc	ASTM A216 Gr.WCB+13Cr
Disc nut	ASTM A194 Gr.8
Body seat ring	Carbon Steel+HF*
Cover bolt/nut	ASTM A193 Gr.B7/A194 Gr.2H
Arm	ASTM A216 Gr.WCB
Gasket	See Page 5
Plug	S45C

*Hard facing with Co-Cr-W Alloy.
 Note: Refer to Page 2&4 for standard seat material and construction.

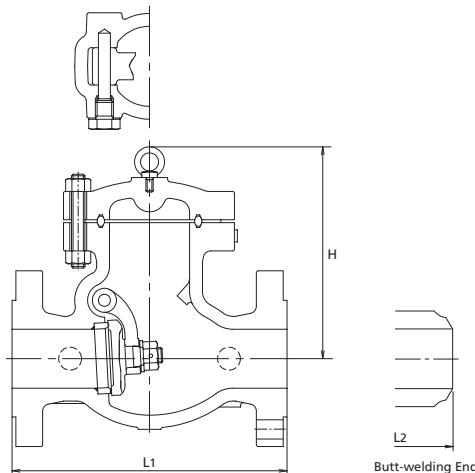
Dimensions

Nominal Size	3		4		6		8		10		12		14		16		18		20	
	80		100		150		200		250		300		350		400		450		500	
L ₁	in	15.0	18.0	24.0	29.0	33.0	38.0	40.5	44.5	48.0	52.0									
	mm	381	457	610	737	838	965	1029	1130	1219	1321									
L ₂	in	15.0	18.0	24.0	29.0	33.0	38.0	40.5	44.5	48.0	52.0									
	mm	381	457	610	737	838	965	1029	1130	1219	1321									
H	in	11.5	13.6	17.4	20.6	24.4	28.3	31.3	34.6	37.5	41.0									
	mm	292	346	441	524	621	720	794	878	952	1042									

Refer to "Standard Product Range" on page 01.

Bolted cover, Swing type disc.

Class 1500



1500SCOS

Fig	End Connections
1500SCOS	RF-flanged ends.
W1500SCOS	Butt-welding ends.

Standard materials of parts

Parts	Materials
Body	ASTM A216 Gr.WCB
Cover	ASTM A216 Gr.WCB
Disc	ASTM A216 Gr.WCB+13Cr
Disc nut	ASTM A194 Gr.8
Body seat ring	A105+HF
Cover bolt/nut	ASTM A193 Gr.B7/A194 Gr.2H
Arm	ASTM A216 Gr.WCB
Gasket	See Page 5
Plug	S45C

*Hard facing with Co-Cr-W Alloy.
 Note: Refer to Page 2&4 for standard seat material and construction.

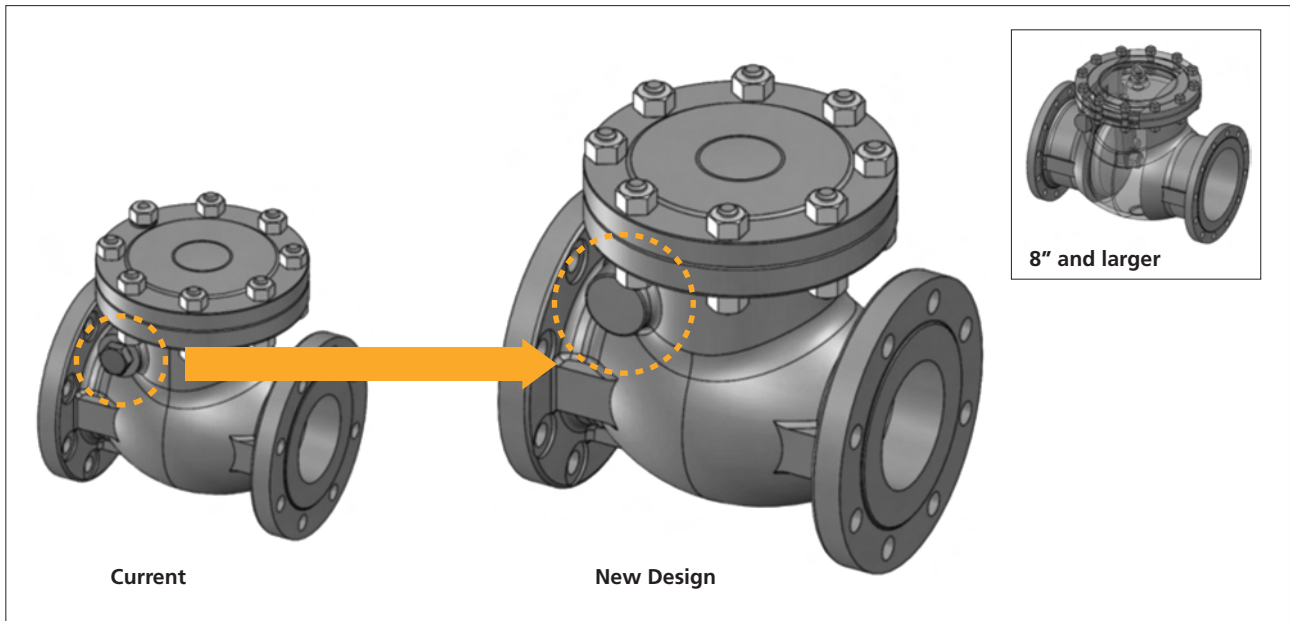
Dimensions

Nominal Size	2		2½		3		4		6		8		10		12		14		16	
	50		65		80		100		150		200		250		300		350		400	
L ₁	in	14.5	16.5	18.5	21.5	27.8	32.8	39.0	44.5	49.5	54.5									
	mm	368	419	470	546	705	832	991	1130	1257	1384									
L ₂	in	14.5	16.5	18.5	21.5	27.8	32.8	39.0	44.5	49.5	54.5									
	mm	368	419	470	546	705	832	991	1130	1257	1384									
H	in	11.5	12.4	13.3	15.3	20.2	25.6	29.0	34.4	37.6	42.6									
	mm	292	315	339	388	514	649	737	875	955	1082									

Refer to "Standard Product Range" on page 01.

KITZ Internal Hinge Pin Check Valves

Design

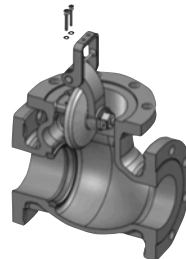


Features

- Designed according to [API594\(2017\)](#)
- No risk of leakage from a hinge pin plug
- Anti-Rotation disc design
- Same F to F dimension with the current Kitz check valves
- Same flow rate as the current Kitz check valves

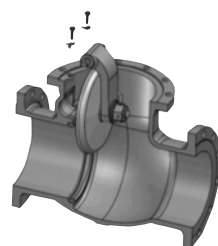
Body Disc Connection

Disc Hanger Type



6" and smaller

Body Fix Type



8" and larger