

Cast Carbon Steel Check Valve

Bolted cover, Swing type disc.

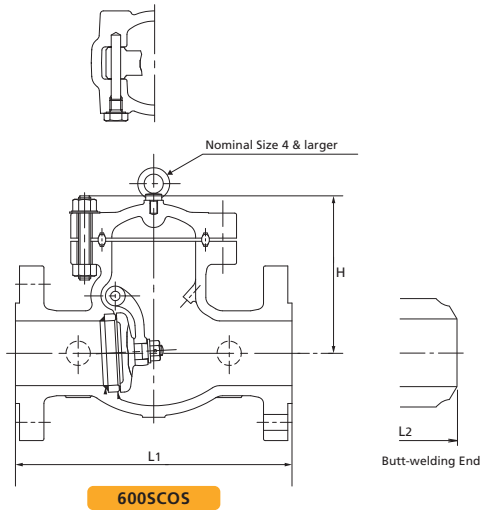


Fig	End Connections
600SCOS	RF-flanged ends.
W600SCOS	Butt-welding ends.

Standard materials of parts

Parts	Materials
Body	ASTM A216 Gr.WCB
Cover	ASTM A216 Gr.WCB
Disc	•A217 Gr.CA15 (Size 2-4) •4035S (Size 5-6) •A216 Gr.WCB+13Cr (Size 8-24)
Disc nut	ASTM A194 Gr.8
Body seat ring	A105+HF
Cover bolt/nut	ASTM A193 Gr.B7/A194 Gr.2H
Arm	ASTM A216 Gr.WCB
Gasket	See page 5
Plug	S45C

*Hard facing with Co-Cr-W Alloy.
Note: Refer to Page 2&4 for standard seat material and construction.

Dimensions

Nominal Size		2	2½	3	4	6	8	10	12	14	16	18	20	24
		50	65	80	100	150	200	250	300	350	400	450	500	600
L ₁	in	11.5	13.0	14.0	17.0	22.0	26.0	31.0	33.0	35.0	39.0	43.0	47.0	55.0
	mm	292	330	356	432	559	660	787	838	889	991	1092	1194	1397
L ₂	in	11.5	13.0	14.0	17.0	22.0	26.0	31.0	33.0	35.0	39.0	43.0	47.0	55.0
	mm	292	330	356	432	559	660	787	838	889	991	1092	1194	1397
H	in	7.28	8.31	8.82	10.1	13.1	14.6	17.0	20.0	22.4	24.4	25.7	28.9	35.9
	mm	185	211	224	257	332	372	432	507	568	620	654	733	913

Refer to "Standard Product Range" on page 01.

Bolted cover, Swing type disc.

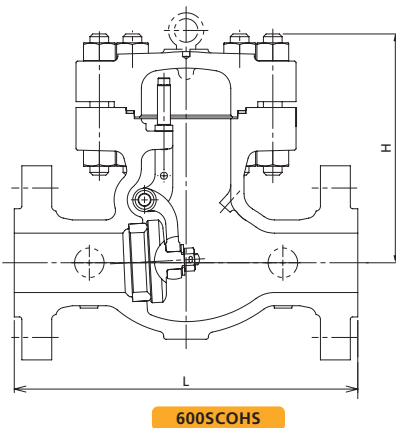


Fig	End Connections
600SCOHS	RF-flanged ends.

Standard materials of parts

Parts	Materials
Body	ASTM A216 Gr.WCB
Cover	ASTM A216 Gr.WCB
Disc	•4035S or A217 Gr.CA15 or A216 Gr.WCB+13Cr (Size 2-4) •4035S or A216 Gr.WCB+13Cr (Size 6) •A216 Gr.WCB+13Cr (Size 8-12)
Disc nut	ASTM A194 Gr.8
Body seat ring	Carbon Steel+HF*
Cover bolt/nut	ASTM A193 Gr.B7/A194 Gr.2H
Arm	ASTM A105/A216 Gr.WCB
Gasket	See Page 5
Hinge Pin Holder	ASTM A216 Gr.WCB**

*Hard facing with Co-Cr-W Alloy.
**Size 1½ to 6
Note: Refer to Page 2&4 for standard seat material and construction.

Dimensions

Nominal Size		2	2½	3	4	6	8	10	12
		50	65	80	100	150	200	250	300
L	in	11.5	13.0	14.0	17.0	22.0	26.0	31.0	33.0
	mm	292	330	356	432	559	660	787	838
H	in	7.68	8.50	9.45	10.0	13.3	15.1	17.6	20.0
	mm	195	216	240	255	338	383	447	508

Refer to "Standard Product Range" on page 01.