

Cast Carbon Steel Check Valve

Bolted cover, Swing type disc.

Class 300

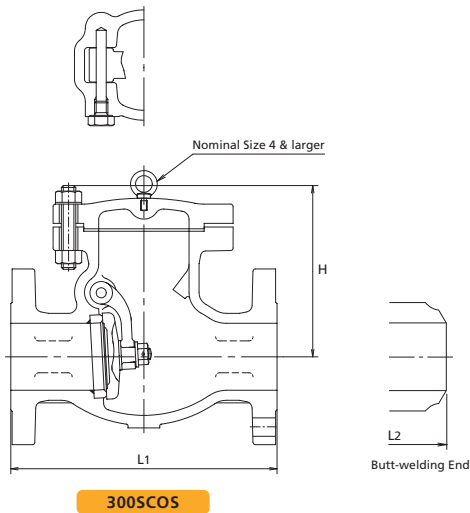


Fig	End Connections
300SCOS	RF-flanged ends.
W300SCOS	Butt-welding ends.

Standard materials of parts

Parts	Materials
Body	ASTM A216 Gr.WCB
Cover	ASTM A105/A216 Gr.WCB
Disc	<ul style="list-style-type: none"> •403SS or A217 Gr.CA15 or A216 Gr.WCB+13Cr (Size 1-1/2-4) •403SS or A216 Gr.WCB+13Cr (Size 5-6) •A216 Gr.WCB+13Cr (Size 8-30)
Disc nut	ASTM A194 Gr.8
Body seat ring	Carbon Steel+HF*
Cover bolt/nut	ASTM A193 Gr.B7/A194 Gr.2H
Arm	ASTM A216 Gr.WCB or A105
Gasket	See Page 5
Plug	Carbon Steel

*Hard facing with Co-Cr-W Alloy.
 Note: Refer to Page 2&4 for standard seat material and construction.

Dimensions

Nominal Size		1 1/2	2	2 1/2	3	4	5	6	8	10	12	14	16	18	20	24	28	30
		40	50	65	80	100	125	150	200	250	300	350	400	450	500	600	700	750
L ₁	in	9.49	10.5	11.5	12.5	14.0	15.7	17.5	21.0	24.5	28.0	33.0	34.0	38.5	40.0	53.0	59.0	62.8
	mm	241	267	292	318	356	400	444	533	622	711	838	864	978	1016	1346	1499	1594
L ₂	in	—	10.5	11.5	12.5	14.0	15.7	17.5	21.0	24.5	28.0	33.0	34.0	38.5	40.0	53.0	59.0	62.8
	mm	—	267	292	318	356	400	444	533	622	711	838	864	978	1016	1346	1499	1594
H	in	6.10	6.46	7.48	8.07	9.06	9.84	11.0	13.0	14.6	16.3	19.3	21.4	23.0	25.4	34.1	36.6	38.4
	mm	155	164	190	205	230	250	280	330	370	415	491	543	584	645	865	930	975

Refer to "Standard Product Range" on page 01.

Bolted cover, Swing type disc.

Class 300

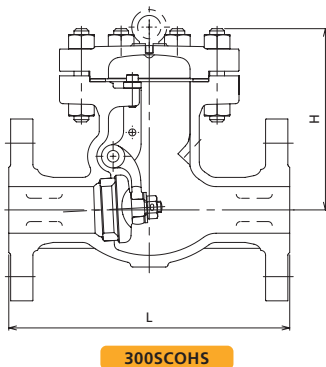


Fig	End Connections
300SCOHS	RF-flanged ends.

Standard materials of parts

Parts	Materials
Body	ASTM A216 Gr.WCB
Cover	ASTM A105/A216 Gr.WCB
Disc	<ul style="list-style-type: none"> •403SS or A217 Gr.CA15 or A216 Gr.WCB+13Cr (Size 1-1/2-4) •403SS or A216 Gr.WCB+13Cr (Size 6) •A216 Gr.WCB+13Cr (Size 8-16)
Disc nut	ASTM A194 Gr.8
Body seat ring	Carbon Steel+HF*
Cover bolt/nut	ASTM A193 Gr.B7/A194 Gr.2H
Arm	ASTM A105/A216 Gr.WCB
Gasket	See Page 5
Hinge Pin Holder	ASTM A216 Gr.WCB**

*Hard facing with Co-Cr-W Alloy.
 **Size 1 1/2 to 6
 Note: Refer to Page 2&4 for standard seat material and construction.

Dimensions

Nominal Size		1 1/2	2	2 1/2	3	4	6	8	10	12	14	16
		40	50	65	80	100	150	200	250	300	350	400
L	in	9.49	10.5	11.5	12.5	14.0	17.5	21.0	24.5	28.0	33.0	34.0
	mm	241	267	292	318	356	444	533	622	711	838	864
H	in	6.10	6.46	7.48	8.07	9.06	11.0	13.0	14.6	16.3	19.3	21.4
	mm	155	164	190	205	230	280	330	370	415	491	543

Refer to "Standard Product Range" on page 01.