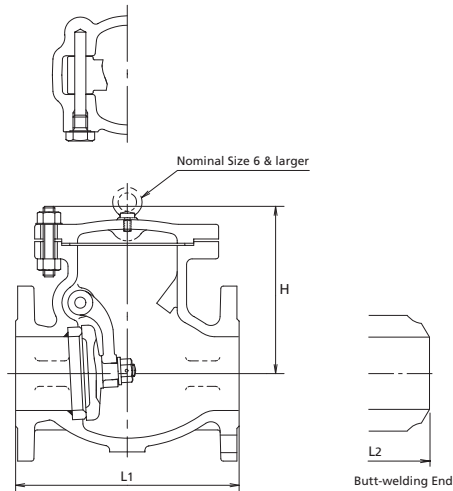


# Cast Carbon Steel Check Valve

Bolted cover, Swing type disc.



150SCOS

Fig	End Connections
150SCOS	RF-flanged ends.
W150SCOS	Butt-welding ends.

## Standard materials of parts

Parts	Materials
Body	ASTM A216 Gr.WCB
Cover	ASTM A105/A216 Gr.WCB
Disc	•403SS or A217 Gr.CA15 or A216 Gr.WCB+13Cr (Size 1-1/2-4) •403SS or A216 Gr.WCB+13Cr (Size 5-6) •A216 Gr.WCB+13Cr (Size 8-30)
Disc nut	ASTM A194 Gr.8
Body seat ring	Carbon Steel+HF*
Cover bolt/nut	ASTM A193 Gr.B7/A194 Gr.2H
Arm	ASTM A216 Gr.WCB or A105
Gasket	See Page 5
Plug	S45c

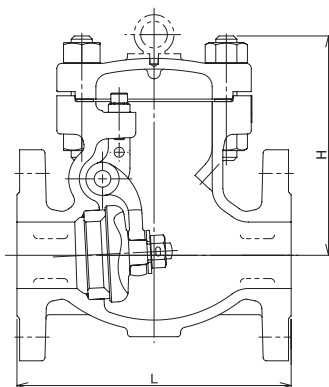
\*Hard facing with Co-Cr-W Alloy.  
Note: Refer to Page 2&4 for standard seat material and construction.

## Dimensions

Nominal Size		1 1/2	2	2 1/2	3	4	5	6	8	10	12	14	16	18	20	24	26	28	30
		40	50	65	80	100	125	150	200	250	300	350	400	450	500	600	650	700	750
L <sub>1</sub>	in	6.50	7.99	8.50	9.49	11.5	13.0	14.0	19.5	24.5	27.5	31.0	34.0	38.5	38.5	51.0	51.0	57.0	60.0
	mm	165	203	216	241	292	330	356	495	622	698	787	864	978	978	1295	1295	1448	1524
L <sub>2</sub>	in	—	7.99	8.50	9.49	11.5	13.0	14.0	19.5	24.5	27.5	31.0	34.0	38.5	38.5	51.0	51.0	57.0	60.0
	mm	—	203	216	241	292	330	356	495	622	698	787	864	978	978	1295	1295	1448	1524
H	in	5.20	6.14	6.61	7.28	8.27	9.41	9.84	11.5	13.4	14.8	16.3	17.9	20.0	23.0	26.4	29.1	31.9	34.3
	mm	132	156	168	185	210	239	250	293	340	375	415	455	508	585	670	740	810	871

Refer to "Standard Product Range" on page 01.

Bolted cover, Swing type disc.



150SCOHS

Fig	End Connections
150SCOHS	RF-flanged ends.

## Standard materials of parts

Parts	Materials
Body	ASTM A216 Gr.WCB
Cover	ASTM A105/A216 Gr.WCB
Disc	•403SS or A217Gr.CA15 or A216 Gr.WCB+13Cr (Size 1-1/2-4) •403SS or A216 Gr.WCB+13Cr (Size 6) •A216 Gr.WCB+13Cr (Size 8-18)
Disc nut	ASTM A194 Gr.8
Body seat ring	Carbon Steel+HF*
Cover bolt/nut	ASTM A193 Gr.B7/A194 Gr.2H
Arm	ASTM A105/A216 Gr.WCB
Gasket	See Page 5
Hinge Pin Holder	ASTM A216 Gr.WCB**

\*Hard facing with Co-Cr-W Alloy.  
\*\*Size 1 1/2 to 6  
Note: Refer to Page 2&4 for standard seat material and construction.

## Dimensions

Nominal Size		1 1/2	2	2 1/2	3	4	6	8	10	12	14	16	18
		40	50	65	80	100	150	200	250	300	350	400	450
L	in	6.50	7.99	8.50	9.49	11.5	14.0	19.5	24.5	27.5	31.0	34.0	38.5
	mm	165	203	216	241	292	356	495	622	698	787	864	978
H	in	5.20	6.14	6.61	7.28	8.27	9.84	11.5	13.4	14.8	16.3	17.9	20.0
	mm	132	156	168	185	210	250	293	340	375	415	455	508

Refer to "Standard Product Range" on page 01.