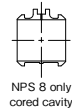
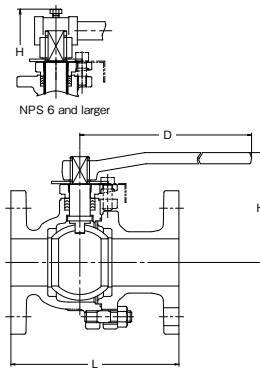


CLASS 125 Iron Ball Valves (Full Bore)

(G-)125FCTB



Blowout-proof stem



NPS 8 only
cored cavity

Page 99 for Pressure-Temperature Ratings.

Materials

Parts	Material	ASTM Spec.
Body	Cast iron	A126 CL. B
Body cap	Cast iron	A126 CL. B
Stem	Stainless steel	A276 Type403
Ball	Stainless steel	A276 Type 304 or A312 Gr.TP304 or A351 Gr.CF8
Grand packing		PTFE
Gasket		PTFE
Ball seat		PTFE
Cap bolt		Carbon steel

Design Specifications

Items	
Shell wall thickness and general valve design	KITZ standard
Face to face dimensions End to end dimensions	ASME B16.10 Class 150
End flange dimensions Gasket contact facing	ASME B16.1 Class 125

Dimensions of 125FCTB

Unit: mm

Nominal Size	NPS	2	2½	3	4	6	8
	DN	50	65	80	100	150	200
L		178	190	203	229	394	457
H		120	155	165	200	295	355
D		230	400	400	460	1000	1500

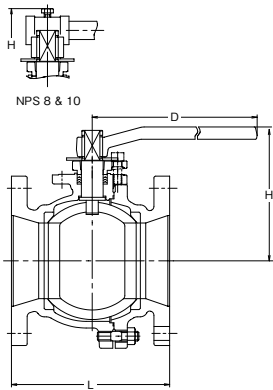
※Please contact KITZ or KITZ distributors for details about gear operated products.

CLASS 125 Iron Ball Valves (Reduced Bore)

125FCTR



Blowout-proof stem



NPS 10 only

Page 99 for Pressure-Temperature Ratings.

Materials

Parts	Material	ASTM Spec.
Body	Cast iron	A126 CL. B
Body cap	Cast iron	A126 CL. B
Stem	Stainless steel	A276 Type 403
Ball	Stainless steel	A312 Gr.TP304 or A351 Gr.CF8
Grand packing		PTFE
Gasket		PTFE
Ball seat		PTFE
Cap bolt		Carbon steel

Design Specifications

Items	
Shell wall thickness and general valve design	KITZ standard
Face to face dimensions End to end dimensions	ASME B16.10 Class 150
End flange dimensions Gasket contact facing	ASME B16.1 Class 125

Dimensions of 125FCTR

Unit: mm

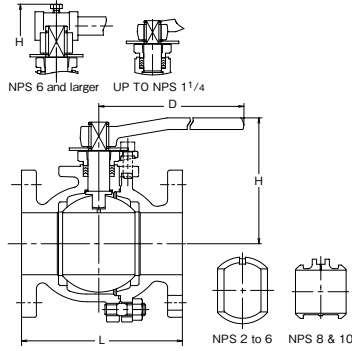
Nominal Size	NPS	6	8	10
	DN	150	200	250
L		267	292	330
H		220	295	355
D		460	1000	1500

10K Iron Ball Valves (Full Bore)

(G)-10FCTB



Blowout-proof stem



Page 99 for Pressure-Temperature Ratings.

Materials

Parts	Material	JIS Spec.
Body	Cast iron	FC200
Body cap	Cast iron	FC200
Stem	Stainless steel	SUS403
Ball	Stainless steel	SCS13A or SUS304 or SUS304TP
Grand packing		PTFE
Gasket		PTFE
Ball seat		PTFE
Cap bolt	Carbon steel	SS400

Design Specifications

Items	
Shell wall thickness and general valve design	KITZ standard
Face to face dimensions	KITZ standard
End flange dimensions Gasket contact facing	JIS B2239 10K (FF)

Gear Operation

Nominal Pressure	10K	Gear Operator				Unit: mm
		H	D	C	A	
Nominal size (NPS)	5	312	310	165	65.5	
	6	337	310	165	65.5	
	8	414	360	210	88.5	
	10	477	500	363	93.5	

Dimensions of 10FCTB

Nominal Size	NPS DN	Unit: mm												
		1/2	3/4	1	1 1/4	1 1/2	2	2 1/2	3	4	5	6	8	10
L	15	110	120	130	140	165	180	190	200	230	300	340	450	533
H	15	102	105	124	128	114	121	154	163	199	219	292	352	477
D	15	130	130	160	160	230	230	400	400	460	460	1000	1500	—

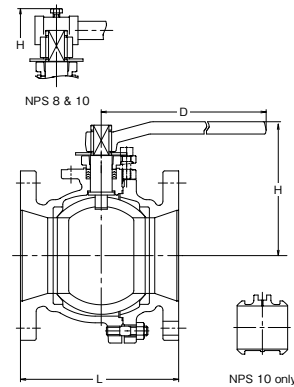
Refer to "Product Range" on Page 3.

JIS 10K Iron Ball Valves (Reduced Bore)

(G)-10FCTR



Blowout-proof stem



Page 99 for Pressure-Temperature Ratings.

Materials

Parts	Material	JIS Spec.
Body	Cast iron	FC200
Body cap	Cast iron	FC200
Stem	Stainless steel	SUS403
Ball	Stainless steel	SCS13A or SUS304 or SUS304TP
Grand packing		PTFE
Gasket		PTFE
Ball seat		PTFE
Cap bolt	Carbon steel	SS400

Design Specifications

Items	
Shell wall thickness and general valve design	KITZ standard
Face to face dimensions	JIS B2002*
End flange dimensions Gasket contact facing	JIS B2239 10K (FF)

* For NPS 5=KITZ standard

Gear Operation

Nominal Pressure	10K	Gear Operator				Unit: mm
		H	D	C	A	
Nominal size (NPS)	5	292	310	165	65.5	
	6	312	310	165	65.5	
	8	337	310	165	65.5	
	10	414	360	210	88.5	

Dimensions of 10FCTR

Nominal Size	NPS DN	Unit: mm			
		5	6	8	10
L	125	250	270	290	330
H	125	200	220	295	355
D	125	460	460	1000	1500

Refer to "Product Range" on Page 3.

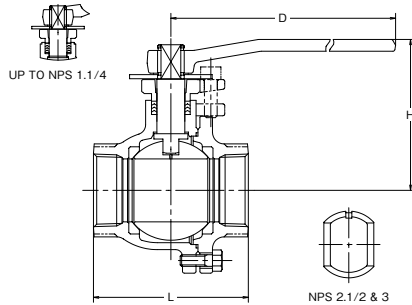
10K Iron Threaded Ball Valves (Full Bore)

120°C non-shock water 1.4 MPa, 120°C W.O.G. 1.0 MPa
Saturated steam 0.7 MPa

10FCT



Blowout-proof stem



Dimensions of 10FCT

Nominal Size	NPS	3/8	1/2	1/2	1	1 1/4	1 1/2	2	2 1/2	3
	DN	10	15	20	25	32	40	50	65	80
L		72	80	85	95	120	120	140	160	182
H		71	102	105	125	130	115	120	155	165
D		130	130	130	160	160	230	230	400	400

Unit: mm

Materials

Parts	Material	JIS Spec.
Body	Cast iron	FC200
Body cap	Cast iron	FC200
Stem	Stainless steel	SUS403
Ball	Stainless steel	SCS13A or SUS304 or SUS304TP
Grand packing	PTFE	
Gasket	PTFE	
Ball Seat	PTFE	
Cap bolt	Carbon steel	SS400
Handle	Ductile iron	FCD400

Design Specifications

Items	
Shell wall thickness and general valve design	KITZ standard
Face to face dimensions End to end dimensions	KITZ standard
End connection	JIS B0203