

FORGED STEEL VALVES

DOUGLAS CHERO SpA
dc FORGED VALVES





Y GLOBE VALVES - 800 - Welded bonnet - Sw/Npt/Bw

Ratings (ASTM A105)

800 p.s.i. @ 850 F
1975 p.s.i. @ 100 F

Test pressure (ASTM A105)

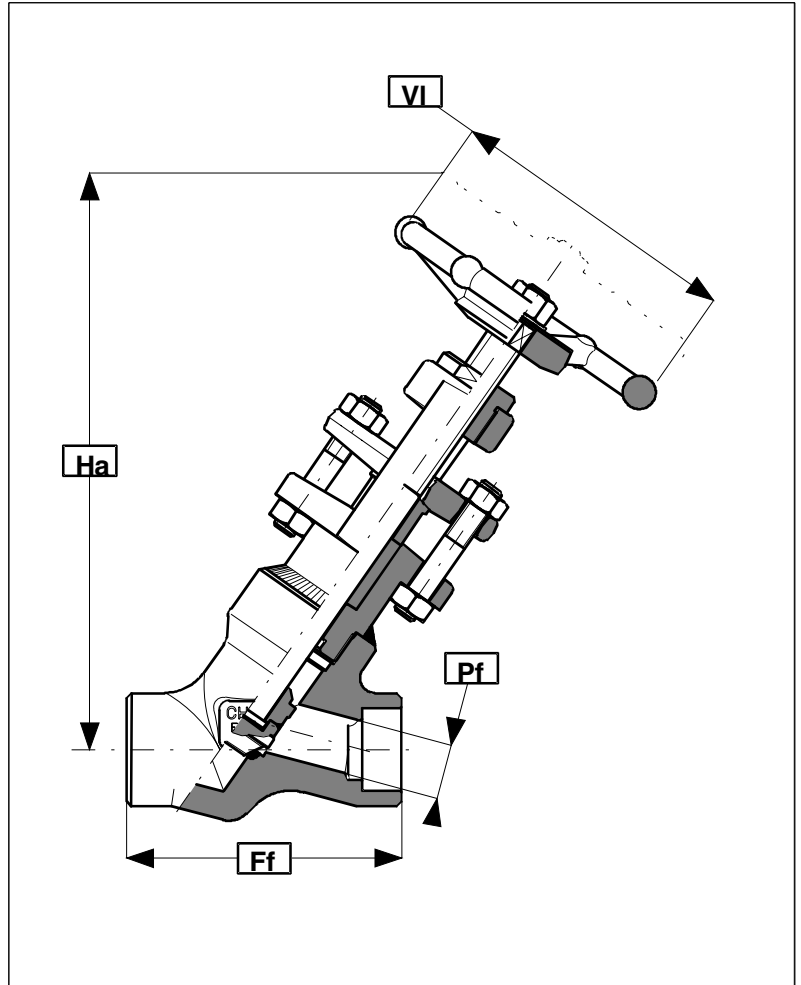
Hydraulic: (minimum)
Body - 3000 p.s.i.
Seat - 2175 p.s.i.
Air under water:
Seat - 85 p.s.i.

Standards

Construction BS 5352
Socket weld ASME B16.11
Threaded ASME B1.20.1
Butt weld ASME B16.25
Test BS 6755 (Pt.1)

Connections (xx)

SW Socket weld	B8 Butt weld 80
TH Threaded NPT	
TS Sw/NPT	
SE Sw (in)/NPT	
SU Sw (out)/NPT	
B4 Butt weld 40	



STANDARD BORE

	1/4"	3/8"	1/2"	3/4"	1"	1.1/4"	1.1/2"	2"
Ff (mm/in)	80 3,15	80 3,15	80 3,15	100 3,94	110 4,33	120 4,72	160 6,30	190 7,48
Ha (mm/in)	147 5,79	147 5,79	147 5,79	186 7,32	220 8,66	235 9,25	305 12,01	352 13,86
VI (mm/in)	90 3,54	90 3,54	90 3,54	100 3,94	120 4,72	140 5,51	140 5,51	200 7,87
Pf (mm/in)	8 0,31	9 0,35	12 0,47	18 0,7	22,5 0,89	29,5 1,16	35 1,38	45,5 1,79
Wt. (kg/lb)	2,4 5,3	2,4 5,3	2,4 5,3	3,0 6,6	4,0 8,8	8,0 17,6	10,0 22,0	16,0 35,2
Catal. no.	Y310WB/xx	Y311WB/xx	Y312WB/xx	Y313WB/xx	Y314WB/xx	Y315WB/xx	Y316WB/xx	Y317WB/xx

1) Standard and alternative valve materials on page 67, type A
2) Complete Pressure-Temperature ratings on page 68, 69, 70, 71,72
3) SW, NPT & BW dimensions on page 73