

FORGED STEEL VALVES

DOUGLAS CHERO SpA
dc FORGED VALVES



Ratings (ASTM A105)

4010 p.s.i. @ 850 F
11110 p.s.i. @ 100 F

Test pressure (ASTM A105)
Hydraulic: (minimum)

Body - 16650 p.s.i.
Seat - 12210 p.s.i.

Air under water:

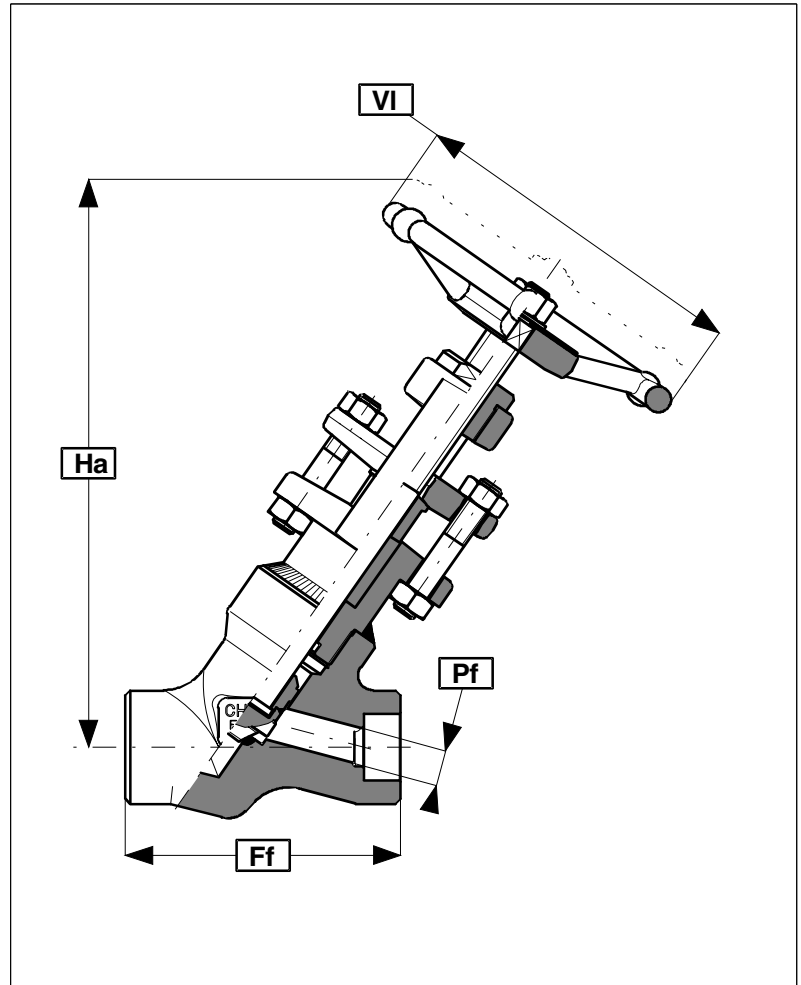
Seat - 85 p.s.i.

Standards

Construction ASME B16.34
Socket weld ASME B16.11
Threaded ASME B1.20.1
Butt weld ASME B16.25
Test API 598-ASME B16.34

Connections (xx)

SW Socket weld	BX Butt weld XXS
TH Threaded NPT	
TS Sw/NPT	
SE Sw (in)/NPT	
SU Sw (out)/NPT	
B6 But weld 160	


STANDARD BORE

			1/2"	3/4"	1"		1.1/2"	2"
Ff (mm/in)			120 4,72	160 6,30	190 7,48		210 8,27	230 9,06
Ha (mm/in)			243 9,57	322 12,67	378 14,88		452 17,79	520 20,47
VI (mm/in)			175 7,87	200 7,87	260 10,24		350 13,78	350 13,78
Pf (mm/in)			7 0,28	11 0,43	14 0,55		25 0,98	30 1,18
Wt. (kg/lb)			7,0 15,4	8,4 18,5	14,6 37,1		23,0 50,6	42,0 97,4
Catal. no.			Y2152WB/xx	Y2153WB/xx	Y2154WB/xx		Y2156WB/xx	Y2157WB/xx

1) Standard and alternative valve materials on page 72, type A
2) Complete Pressure-Temperature ratings on page 73 , 74 , 75 , 76 , 77.
3) SW, NPT & BW dimensions on page 78.