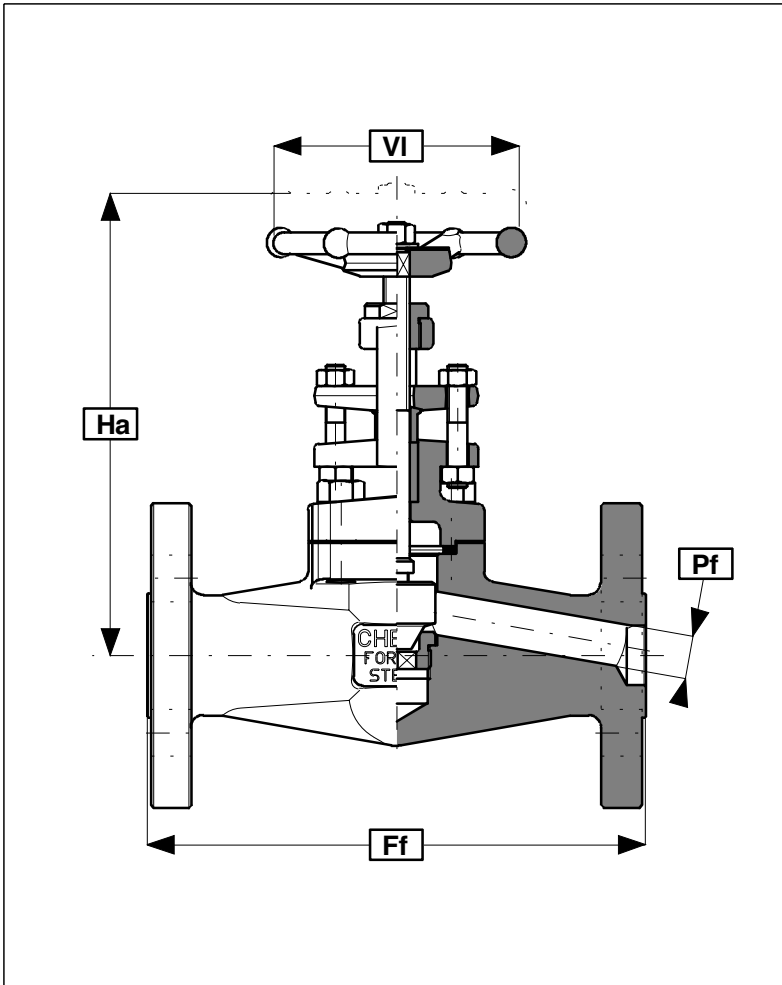


FORGED STEEL VALVES

DOUGLAS CHERO SpA
dc FORGED VALVES




Ratings (ASTM A105)

 300 p.s.i. @ 850°F
 740 p.s.i. @ 100°F

Test pressure (ASTM A105)
Hydraulic:(minimum)
 Body - 1125 p.s.i.
 Seat - 825 p.s.i.
Air under water:
 Seat - 85 p.s.i.

Standards
Construction BS 5352
Flanged ASME B16.5, ASME B16.10
Test BS 6755 (Pt.1)

Connections (xx)

RF Raised face (std.)	LF Large female
RJ Ring joint	LG Large groove
SF Small female	LM Large male
SG Small groove	LT Large tongue
SM Small male	
ST Small tongue	

REDUCED BORE											
		1/2"		3/4"		1"		1.1/2"		2"	
Ff (mm/in)		152,4	5,98	177,8	7,00	203,2	8,00	228,6	9,00	266,7	10,50
Ha (mm/in)		152	5,98	159	6,26	182	7,17	283	11,14	306	12,05
VI (mm/in)		90	3,54	90	3,54	100	3,94	140	5,51	140	5,51
Pf (mm/in)		9	0,35	12,5	0,49	17,5	0,69	28 ⁽⁴⁾	1,10	32 ⁽⁵⁾	1,26
Wt. (kg/lb)		3,4	7,5	4,8	10,6	7,0	15,4	14,2	31,2	17,4	38,3
Catal. no.		R352/30xx		R353/30xx		R354/30xx		R356/30xx		R357/30xx	

FULL BORE											
		1/2"		3/4"		1"		1.1/2"		2"	
Ff (mm/in)		152,4	5,98	177,8	7,00	203,2	8,00	228,6	9,00	266,7	10,50
Ha (mm/in)		152	5,98	159	6,26	182	7,17	283	11,14	306	12,05
VI (mm/in)		90	3,54	100	3,94	120	4,72	140	5,51	200	7,87
Pf (mm/in)		13	0,51	17,5	0,69	22,5	0,89	34	1,34	45	1,77
Wt. (kg/lb)		3,4	7,5	4,8	10,6	7,0	15,4	14,2	31,2	17,4	38,3
Catal. no.		F312/30xx		F313/30xx		F314/30xx		F316/30xx		F317/30xx	

1) Standard and alternative valve materials on page 67, type A
 2) Complete Pressure-Temperature ratings on page 68, 69, 70, 71,72
 3) Flanges & face-to-face dimensions on page 74,75

4) Pf = 29,5 with integral stellited seat
 5) Pf = 35 with integral stellited seat