

Serial No.	H-V016-E-12
------------	-------------

Gauge Valve

目次 (ページ)

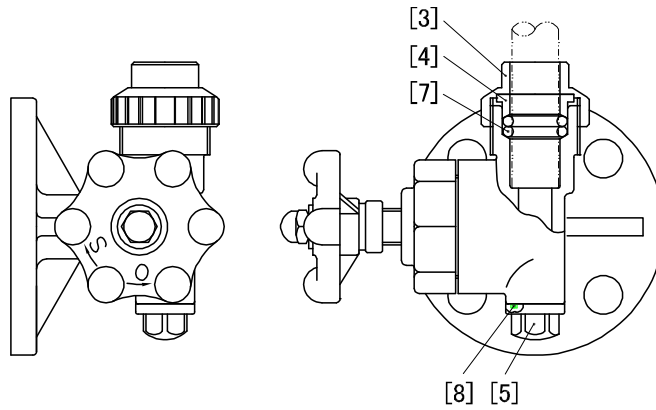
User's Manual

1. Be sure to read the following warranty clauses of our product	1
2. General operating instructions	2
3. General instructions for transportation, unpacking and storage	2
4. Name of parts	3
5. Maximum working pressure vs. temperature	4
6. Installation procedure	5
7. Operating procedure	6
8. Disassembling method for replacing parts	7
9. Inspection items	7
10. Troubleshooting	8
11. Handling of residual and waste materials	8

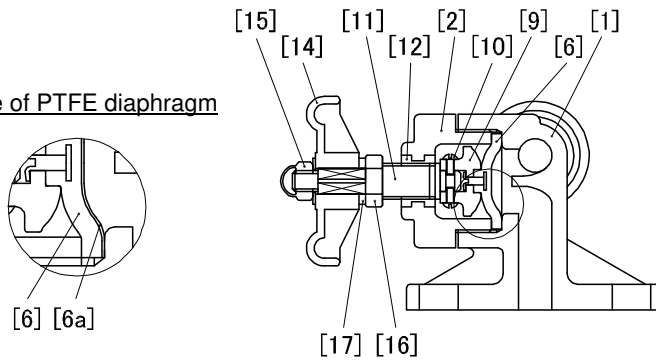


4. Name of parts

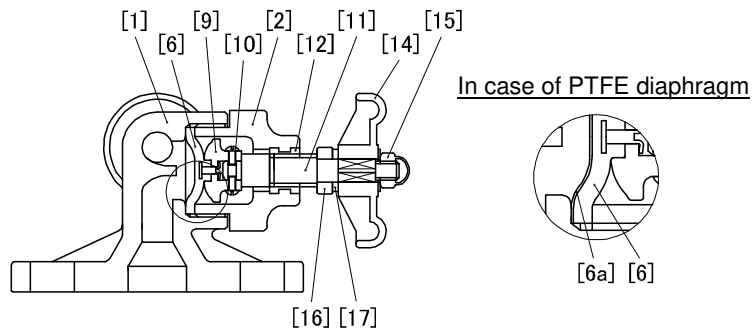
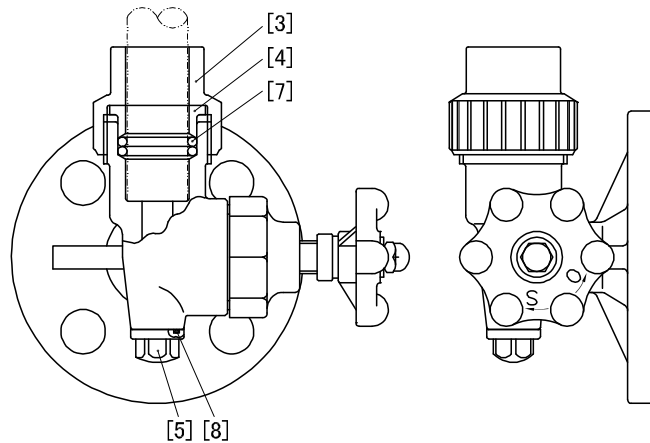
20mm (3/4")



In case of PTFE diaphragm



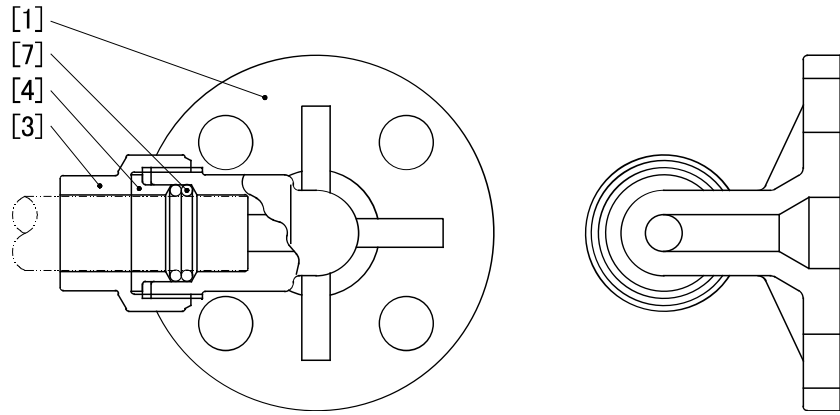
25mm (1")



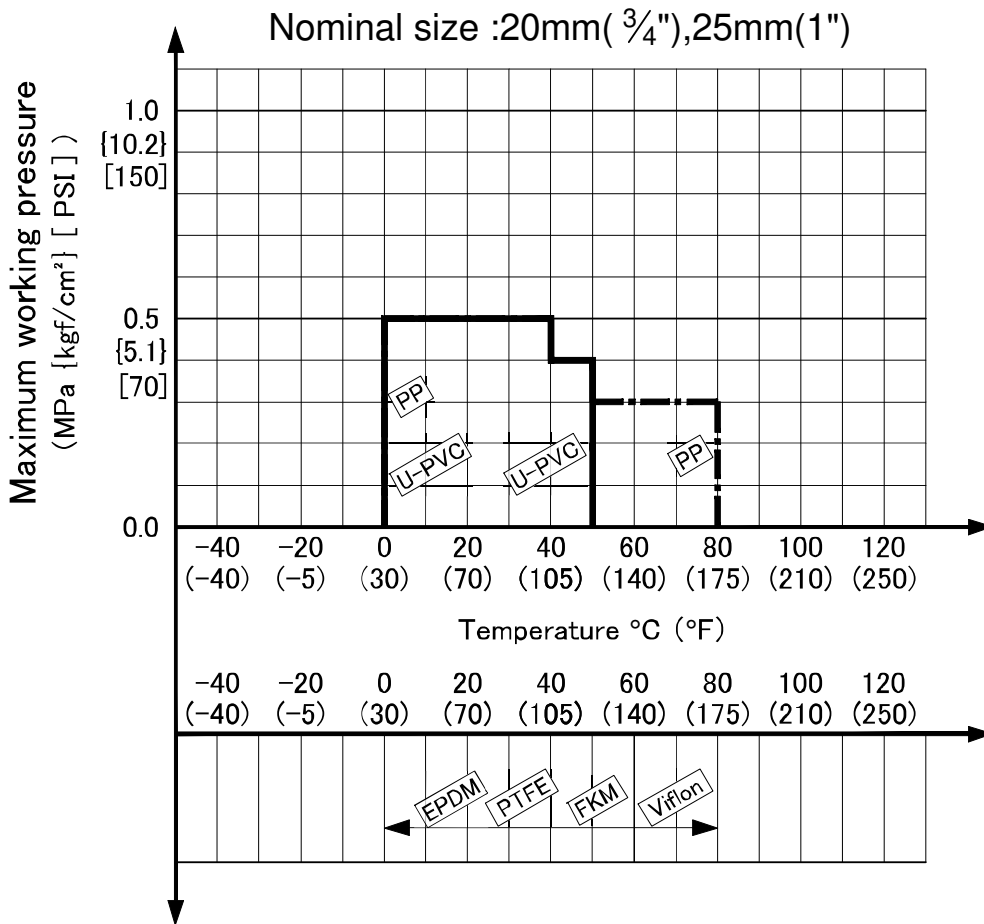
No.	Description	No.	Description	No.	Description	No.	Description
[1]	Body	[6]	Rubber diaphragm	[10]	Compressor pin	[16]	Stopper
[2]	Bonnet	[6a]	PTFE diaphragm	[11]	Stem	[17]	Spring washer
[3]	Gland nut	[7]	O-ring (A)	[12]	Inserted metal		
[4]	Gland	[8]	O-ring (B)	[14]	Hand wheel		
[5]	Drain plug	[9]	Compressor	[15]	Nut		

Flanged elbow

No.	Description
[1]	Body
[3]	Gland nut
[4]	Gland
[7]	O-ring (A)



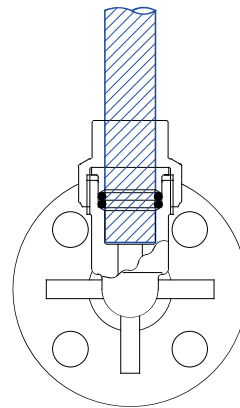
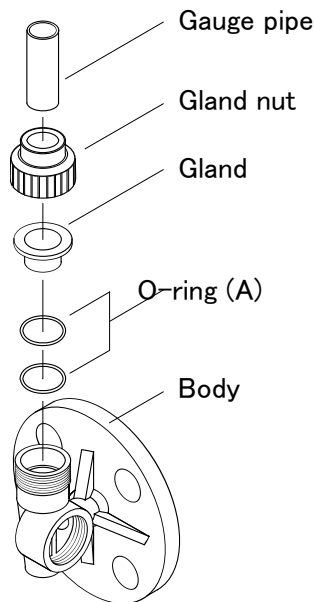
5. Maximum working pressure vs. temperature



Gauge pipe part

Procedure

- 1) Loosen and remove the gland nut by hand, remove the gland and O-ring (A) from body.
- 2) Set the gland nut, gland, and O-ring (A) through the glass pipe to let through in advance.
- 3) Insert the glass pipe into the body, tighten the gland nut by hand and fix the gauge pipe.



Gauge pipe insert completed drawing

Gauge pipe outside diameter

Nominal size	Outside diameter
20mm (3/4")	18mm (0.709 inch)
25mm (1")	26mm (1.024 inch)

7. Operating Procedure



Caution



– Do not open/close the valve when foreign matters such as dust are included in fluid.

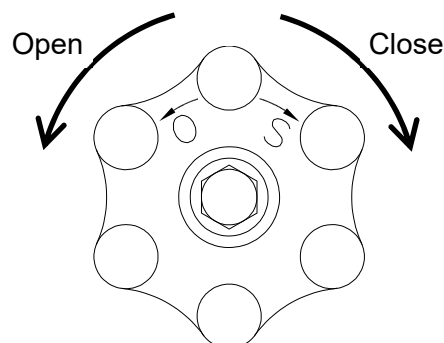
– Foreign matters such as sand may be left inside the pipeline after the installation of the valve. Therefore, clean inside the pipe before opening/closing the valve.

– Do not exert excessive force in open/close the valve. (The hand wheel can be damaged.)

– When operating the hand wheel, be sure to do so with your hand. (Using a tool may damage the hand wheel.)

Procedure

- 1) Turn the hand wheel to open and close. Turning it clockwise will close it, turning it counter-clockwise will open it.
- 2) Check the open and close state. When the valve shuts, operation torque of the valve is high.



Gauge Valve

ASAHI YUKIZAI CORPORATION



Distributor

<https://www.asahi-yukizai.co.jp/en/>