

ASAHI

CHECK VALVE

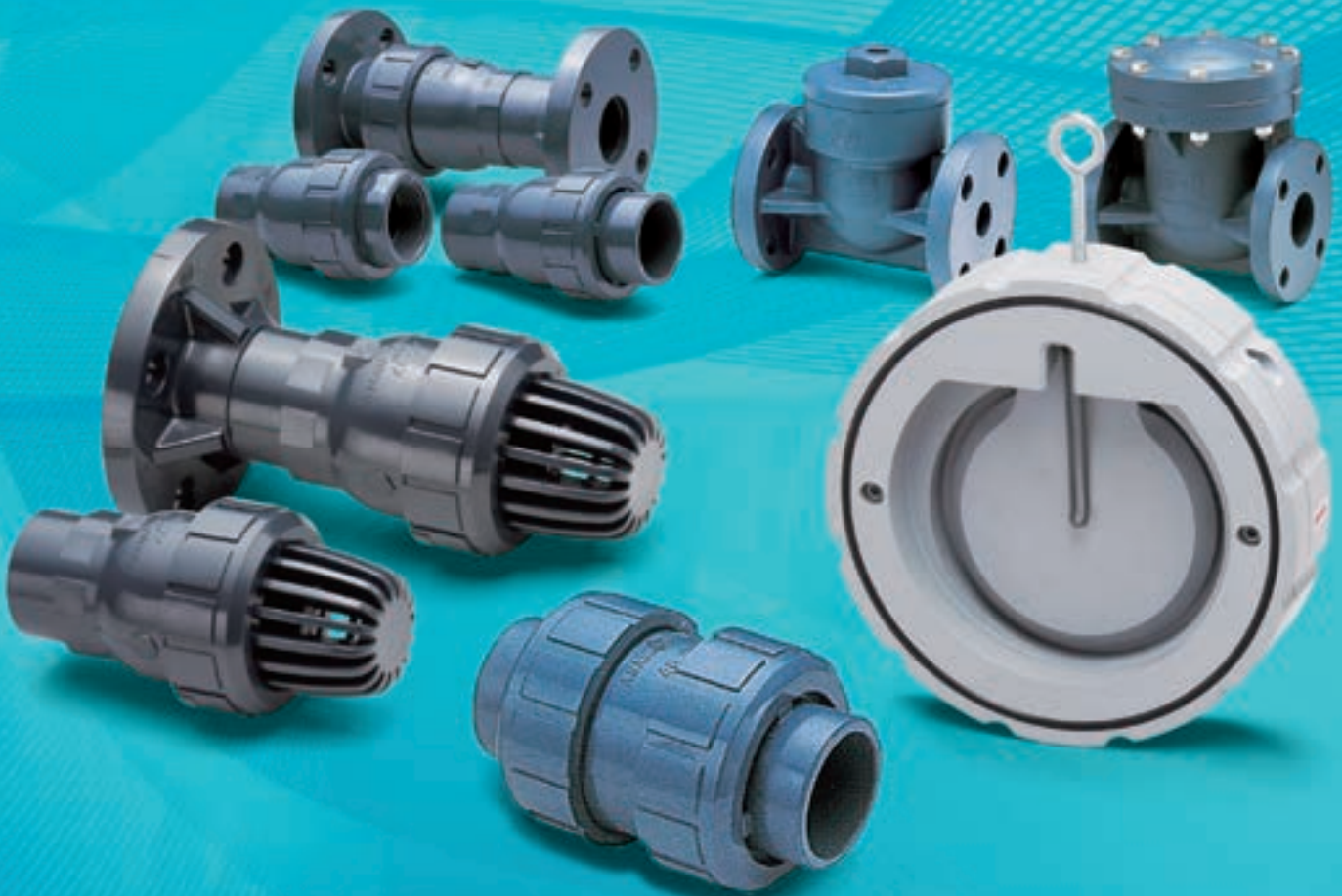
P.147 SWING CHECK VALVE

P.149 WAFER CHECK VALVE

P.151 BALL CHECK VALVE

P.153 TRUE UNION BALL CHECK VALVE

P.155 BALL FOOT VALVE



WAFER CHECK VALVE

- STRENGTH CONCERNS OF PLASTIC WAFER CHECK ARE RESOLVED USING STRESS ANALYSIS.
- CORROSION RESISTANCE IS IMPROVED BY ALL-PLASTIC WETTED PART AND COATED SPRING.
- WEIGHT IS 1/3 TO 1/5 OF THAT OF METAL TYPE.
- STOPPER-INTEGRATED STRUCTURE ELIMINATES THE USE OF GASKET DURING PIPING, ALLOWING COST REDUCTION.

BASIC SPECIFICATIONS

VALVE TYPE _____ WAFER CHECK VALVE

SIZE _____ 80 mm—300 mm (3 inch—12 inch)

BODY MATERIAL _____ U-PVC

SEAL MATERIAL / O-RING _____ EPDM FKM

CONNECTION / WAFER _____ JIS10K, DIN, ANSI

	FLUID TEMPERATURE	MAXIMUM WORKING PRESSURE (NORMAL TEMPERATURE) MPa(kgf/cm ²)	
		80mm—200mm	250mm, 300mm
U-PVC	0°C ~ 50°C	1.0 {10.2}	0.6 {6.1}

NOTES The maximum working pressure is the value including the water hammer pressure. Be careful that the maximum working pressure is not exceeded during use.

* Concerning the allowable pressure for each temperature and material, see the technical documents at the end of this catalog.

MANUAL

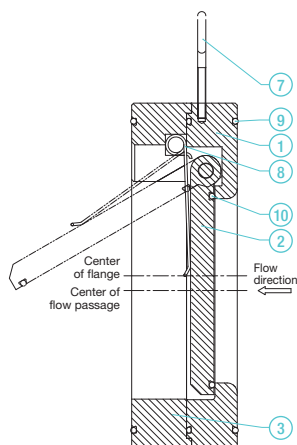


NOTES FOR USE

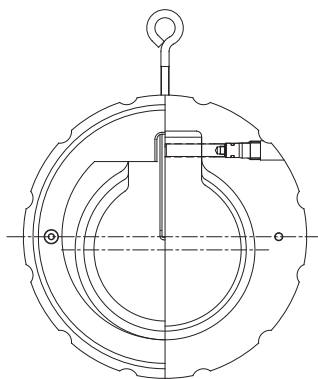
- The maximum working pressure is the value including the water hammer pressure. Be careful that the maximum working pressure is not exceeded during use.
- The wafer check valve is most suited for water and sea water lines. When it is used for a chemical line, contact us to check the chemical resistance.
- They can be used for both horizontal and vertical pipes, but make sure during installation that the arrow direction of the valve body is aligned with the flow direction of the fluid.

PARTS LIST

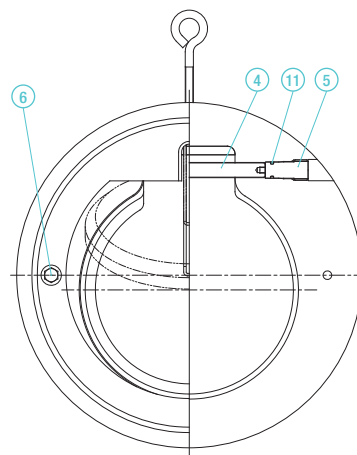
MANUAL



80 mm (3"), 100 mm (4"), 200 mm (8")



125 mm (5"), 150 mm (6"), 250 mm (10"), 300 mm (12")



PART NO. / NAME	QTY	MATERIAL	PART NO. / NAME	QTY	MATERIAL	PART NO. / NAME	QTY	MATERIAL
① BODY	1	U-PVC	⑤ PLUG	1	U-PVC	⑨ O-RING (A)	3	EPDM, FKM
② DISC	1	U-PVC	⑥ BOLT	2	U-PVC	⑩ O-RING (B)	1	EPDM, FKM
③ STOPPER	1	U-PVC	⑦ EYE BOLT	1	SS400 (Unichrome plating)	⑪ O-RING (C)	1	EPDM, FKM
④ SHAFT	1	U-PVC	⑧ SPRING ⁽¹⁾	1	SWP-B (ETFE COATING)			

NOTE (1) Not used for standard type.

PRODUCT MODEL CODE LIST

MANUAL

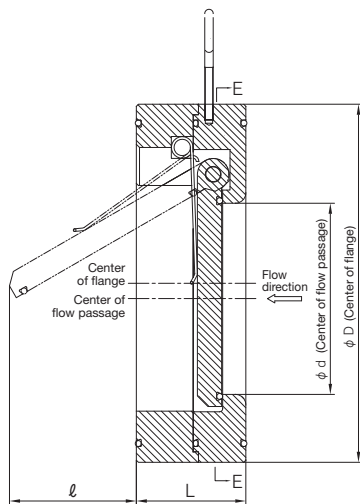
ACTUATION	TYPE	OPERATING SYSTEM	BODY MATERIAL	SEAL MATERIAL	CONNECTION	STANDARD	SIZE
V	WC	ZZ	U	*	W	*	***
⋮	⋮	⋮	⋮	⋮	⋮	⋮	⋮
V MANUAL VALVE	WC WAFER CHECK	ZZ NONE	U U-PVC	E EPDM V FKM	W WAFER	D DIN A ANSI 1 JIS10K	080 80mm ? 300 300mm

MANUAL

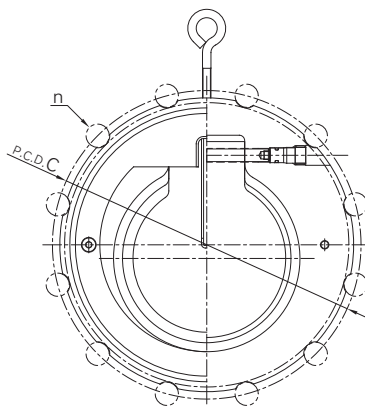
WAFER CHECK VALVE

TYPE — WWCZ

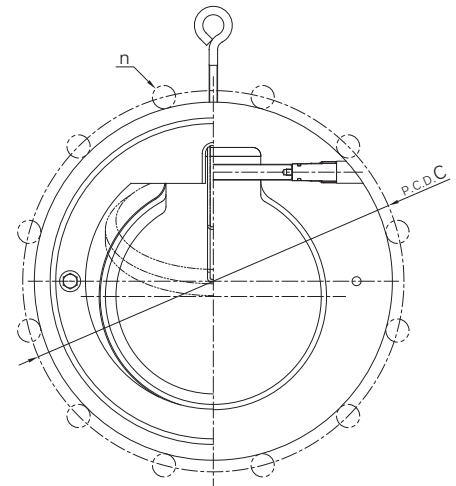
CONNECTION / WAFER — JIS, ANSI, DIN



80 mm (3"), 100 mm (4"), 200 mm (8")



125 mm (5"), 150 mm (6"), 250 mm (10"), 300 mm (12")



■ JIS, DIN (Unit: mm)

mm	d	D	L	ℓ	JIS10K		DIN PN10	
					C	n	C	n
80	47	144	63	22.6	150	8	160	8
100	52	175	70	34.9	175	8	180	8
125	77	190	76	50.9	210	8	210	8
150	92	220	82	64.8	240	8	240	8
200	132	279	101	93.6	290	12	295	8
250	177	333	114	129	355	12	350	12
300	217	378	115	165.6	400	16	400	12

■ ANSI (Unit: inch)

inch	mm	d	D	L	ℓ	ANSI Class150	
						C	n
3	80	1.85	5.67	2.48	0.89	6.00	4
4	100	2.05	6.89	2.76	1.37	7.50	8
5	125	3.03	7.48	2.99	2.00	8.50	8
6	150	3.62	8.66	3.23	2.55	9.51	8
8	200	5.20	10.98	3.98	3.69	11.75	8
10	250	6.97	13.11	4.49	5.08	14.25	12
12	300	8.54	14.88	4.53	6.52	17.01	12