



Pure-Flo[®] & EnviZion[®] High Purity Diaphragm Valves

Product Selection Guide



ITT

ENGINEERED FOR LIFE

Product Details

Manually Operated Topworks

Introduction

								
Type	Bio-Pure	Bio-Pure COP	Bio-Tek	903	913	963	970	ZH,ZHS
Size Range								
0.25 (DN6)	•	•	•					
0.38 (DN10)	•	•	•					
0.5" (DN15)	•	•	•	•	•	•	•	•
0.75" (DN20)				•	•	•	•	•
1" (DN25)				•	•	•	•	•
1.5 (DN32/40)				•	•	•	•	•
2" (DN50)				•	•	•	•	•
2.5" (DN65)				•	•	•		
3" (DN80)				•	•	•		
4" (DN100)				•	•	•		
Material	Bonnet: 316 Stainless Steel Handwheel: Polyethersulfone (PES)	Bonnet: 316 Stainless Steel Handwheel: Polyethersulfone (PES)	Bonnet: 316 Stainless Steel Handwheel: Polyethersulfone (PES)	Cast Iron coated White Epoxy or PVDF	Bonnet and Handwheel: Stainless Steel	Bonnet and Handwheel: Glass reinforced polyethersulfone (PES)	Bonnet: 316 Stainless Steel Handwheel: Glass reinforced polyethersulfone (PES)	Bonnet: Stainless Steel Handwheel: Polyethersulfone (PES) Bonnet Cover: Polyethersulfone (PES)
Maximum Service Pressure	150 psi 10.34 bar	150 psi 10.34 bar	150 psi 10.34 bar	0.5–1": 200 psig 13.8 bar 1.5–2": 175 psig 12.1 bar 3–4": 150 psig 10.3 bar	0.5–1": 200 psig 13.8 bar 1.5–2": 175 psig 12.1 bar 3–4": 150 psig 10.3 bar	150 psig 10.34 bar	0.5–1": 200 psig 13.8 bar 1.5–2": 175 psig 12.1 bar	150 psig 10.34 bar
Maximum Service Temperature	329°F (165°C)	329°F (165°C)	329°F (165°C)	See page D-9	See page D-9	300°F (149°C)	See page D-9	See page D-9
Pressure/ Temperature Limitations	See page D-9							
Autoclavable	Yes	Yes	Yes	No	Yes	Yes	Yes	Yes
Sealed Option	No	Yes	Yes	Yes	Yes	Yes	No	Yes

Bio-Tek[®] Manual Bonnet

P The Bio-Tek is a compact, lightweight solution ideal for Bioprocessing applications and utilized frequently as a sample or drain port in Pharmaceutical process systems and Pure-Flo fabrications.

Type: 18 & 18S

Size Range: 0.25", 0.375", 0.5"
(DN6-DN15)

Service Pressure/Temperature:
150 psi at 220°F (10.34 bar, 104°C)
Maximum external temperature: 300°F (149°C)

Bonnet Materials:

Model 18

- Bonnet: 316 Stainless Steel
- Spindle: Stainless Steel
- Compressor: Stainless Steel
- Handwheel: PES

Model 18S

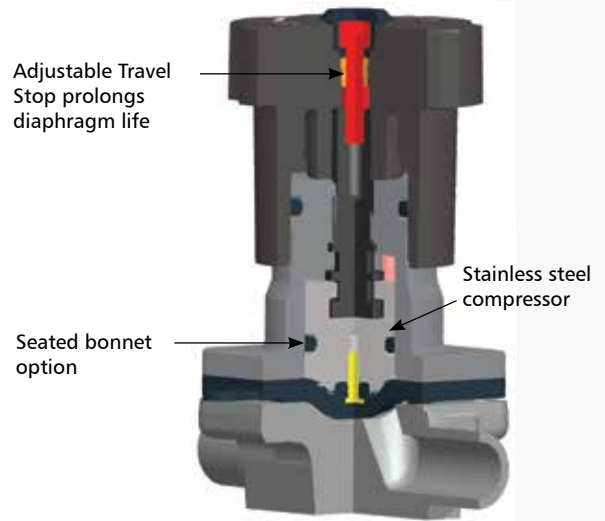
- Bonnet: 316 Stainless Steel
- Spindle: Stainless Steel
- Compressor: Stainless Steel
- O-rings: Fluoropolymer, FDA compliant
- Handwheel: PES

Handwheel Material:
PES (Polyethersulphone)

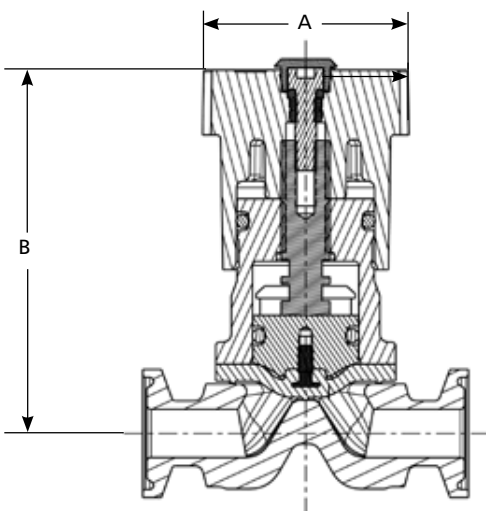
Standard Features:

- Adjustable travel stop
- Autoclavable

Note: This bonnet is available for Bio-Tek type bodies only.



Dimensions for Bio-Tek Bonnet



Valve Size		A		B Open	
Inch	DN	Inch	mm	Inch	mm
0.25, 0.375, 0.5	6, 10, 15	1.62	41,2	2.82	71,6



ENGINEERED FOR LIFE

ITT Engineered Valves
33 Centerville Road
Lancaster, PA 17603, USA
Tel: +1 (717) 509-2200

**Cam-Line, Cam-Tite, Dia-Flo,
EnviZion, Pure-Flo, Skotch**

ITT Engineered Valves
1110 Bankhead Avenue
Amory, MS 38821, USA
Tel: +1 (662) 256-7185

Fabri-Valve

ITT Industries Ltd.
Weycroft Avenue,
Millwey Rise Industrial Estate
Axminster, EX13 5HU, United Kingdom
Tel: +44 1297-639100

EnviZion, Pure-Flo