



Pure-Flo[®] & EnviZion[®] High Purity Diaphragm Valves

Product Selection Guide



ITT

ENGINEERED FOR LIFE

Product Details

Manually Operated Topworks

Introduction

								
Type	Bio-Pure	Bio-Pure COP	Bio-Tek	903	913	963	970	ZH,ZHS
Size Range								
0.25 (DN6)	•	•	•					
0.38 (DN10)	•	•	•					
0.5" (DN15)	•	•	•	•	•	•	•	•
0.75" (DN20)				•	•	•	•	•
1" (DN25)				•	•	•	•	•
1.5 (DN32/40)				•	•	•	•	•
2" (DN50)				•	•	•	•	•
2.5" (DN65)				•	•	•		
3" (DN80)				•	•	•		
4" (DN100)				•	•	•		
Material	Bonnet: 316 Stainless Steel Handwheel: Polyethersulfone (PES)	Bonnet: 316 Stainless Steel Handwheel: Polyethersulfone (PES)	Bonnet: 316 Stainless Steel Handwheel: Polyethersulfone (PES)	Cast Iron coated White Epoxy or PVDF	Bonnet and Handwheel: Stainless Steel	Bonnet and Handwheel: Glass reinforced polyethersulfone (PES)	Bonnet: 316 Stainless Steel Handwheel: Glass reinforced polyethersulfone (PES)	Bonnet: Stainless Steel Handwheel: Polyethersulfone (PES) Bonnet Cover: Polyethersulfone (PES)
Maximum Service Pressure	150 psi 10.34 bar	150 psi 10.34 bar	150 psi 10.34 bar	0.5–1": 200 psig 13.8 bar 1.5–2": 175 psig 12.1 bar 3–4": 150 psig 10.3 bar	0.5–1": 200 psig 13.8 bar 1.5–2": 175 psig 12.1 bar 3–4": 150 psig 10.3 bar	150 psig 10.34 bar	0.5–1": 200 psig 13.8 bar 1.5–2": 175 psig 12.1 bar	150 psig 10.34 bar
Maximum Service Temperature	329°F (165°C)	329°F (165°C)	329°F (165°C)	See page D-9	See page D-9	300°F (149°C)	See page D-9	See page D-9
Pressure/ Temperature Limitations	See page D-9							
Autoclavable	Yes	Yes	Yes	No	Yes	Yes	Yes	Yes
Sealed Option	No	Yes	Yes	Yes	Yes	Yes	No	Yes

Bio-Pure[®] Manual Bonnet

P The Bio-Pure is the compact solution for the most demanding Biopharm applications. Available in fractional sizes and a wide selection of body materials and end connections the Bio-Pure is the ideal choice for sampling and other low flow, high value processes. Bioreactors, chromatography systems, filtration skids are just a small number of applications that will benefit from the compact, reliable performance. Bio-Pure is capable of withstanding typical Steam in Place (SIP) and Clean in Place (CIP) protocols. For demanding Clean out of Place (COP) requirements the manual BPMC option is the solution for reliable trouble free operation. A standard 2 piece PTFE diaphragm prevents separation of the diaphragm, which is common in laminated diaphragm designs.

Typical Applications

- Sampling
- Bioreactors
- Chromatography systems
- Filtration skids
- Portable vessels

Size Range

0.25", 0.31" 0.375", 0.5" (DN 6, 8, 10, 15)

Service Pressure/Temperature

150 psi at 220°F (10.34 bar at 104°C)

Maximum external temperature: 300°F (149°C)



Standard Body Materials:

- ASTM A182 Grade 316, DIN 17440. 1.4435
- ASTM A479
- Other materials available upon request

Bonnet Materials:

- Bonnet: 316 Stainless Steel
- Spindle: Stainless Steel
- Compressor: Stainless Steel
- Handwheel: PES

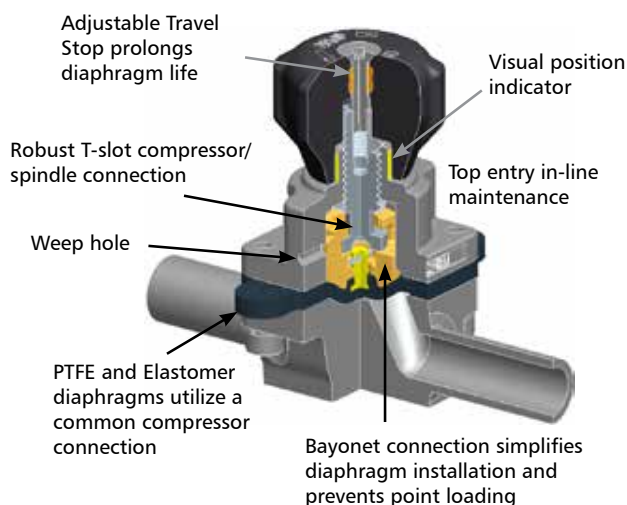
Available End Connections:

- 0.5" (DN 15) 16 Gauge
- 0.25", 0.375" (DN 6, 10) 20 Gauge
- DIN/ISO
- Hygienic Tri-Clamp[®]

Corrosion Resistance:

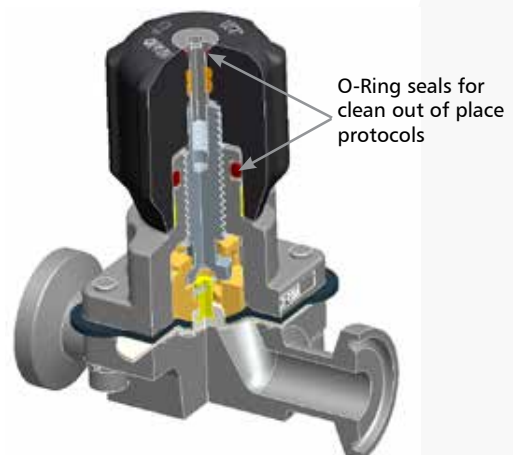
Resists alcohol, chloride and most caustic washdowns.

BPM Option



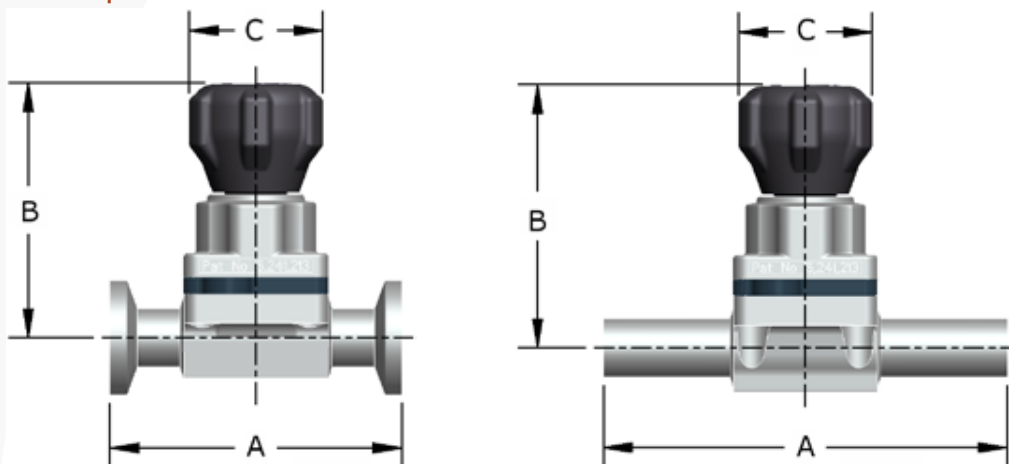
BPMC Option

BPM features plus



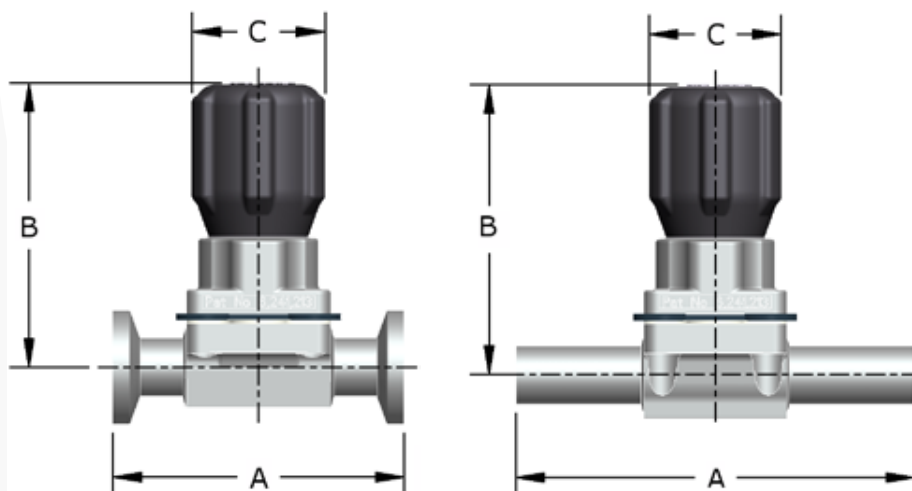
Bio-Pure[®] Dimensions

BPM Option



	ANSI (USOD)		DIN/ISO	B Open	C
	A Tri-Clamp	A Butt-weld	A		
In.	2.50	3.50	3.50	2.34	1.25
mm	63,5	89,0	89,0	59,4	31,8

BPMC Option



	ANSI (USOD)		DIN/ISO	B Open	C
	A Tri-Clamp	A Butt-weld	A		
In.	2.50	3.50	3.50	2.71	1.25
mm	63,5	89,0	89,0	68,9	31,8



ENGINEERED FOR LIFE

ITT Engineered Valves
33 Centerville Road
Lancaster, PA 17603, USA
Tel: +1 (717) 509-2200

**Cam-Line, Cam-Tite, Dia-Flo,
EnviZion, Pure-Flo, Skotch**

ITT Engineered Valves
1110 Bankhead Avenue
Amory, MS 38821, USA
Tel: +1 (662) 256-7185

Fabri-Valve

ITT Industries Ltd.
Weycroft Avenue,
Millwey Rise Industrial Estate
Axminster, EX13 5HU, United Kingdom
Tel: +44 1297-639100

EnviZion, Pure-Flo