



# Pure-Flo<sup>®</sup> & EnviZion<sup>®</sup> High Purity Diaphragm Valves

Product Selection Guide



**ITT**

ENGINEERED FOR LIFE

# Product Details

## Manually Operated Topworks

Introduction

								
Type	Bio-Pure	Bio-Pure COP	Bio-Tek	903	913	963	970	ZH,ZHS
Size Range								
0.25 (DN6)	•	•	•					
0.38 (DN10)	•	•	•					
0.5" (DN15)	•	•	•	•	•	•	•	•
0.75" (DN20)				•	•	•	•	•
1" (DN25)				•	•	•	•	•
1.5 (DN32/40)				•	•	•	•	•
2" (DN50)				•	•	•	•	•
2.5" (DN65)				•	•	•		
3" (DN80)				•	•	•		
4" (DN100)				•	•	•		
Material	Bonnet: 316 Stainless Steel Handwheel: Polyethersulfone (PES)	Bonnet: 316 Stainless Steel Handwheel: Polyethersulfone (PES)	Bonnet: 316 Stainless Steel Handwheel: Polyethersulfone (PES)	Cast Iron coated White Epoxy or PVDF	Bonnet and Handwheel: Stainless Steel	Bonnet and Handwheel: Glass reinforced polyethersulfone (PES)	Bonnet: 316 Stainless Steel Handwheel: Glass reinforced polyethersulfone (PES)	Bonnet: Stainless Steel Handwheel: Polyethersulfone (PES) Bonnet Cover: Polyethersulfone (PES)
Maximum Service Pressure	150 psi 10.34 bar	150 psi 10.34 bar	150 psi 10.34 bar	0.5–1": 200 psig 13.8 bar 1.5–2": 175 psig 12.1 bar 3–4": 150 psig 10.3 bar	0.5–1": 200 psig 13.8 bar 1.5–2": 175 psig 12.1 bar 3–4": 150 psig 10.3 bar	150 psig 10.34 bar	0.5–1": 200 psig 13.8 bar 1.5–2": 175 psig 12.1 bar	150 psig 10.34 bar
Maximum Service Temperature	329°F (165°C)	329°F (165°C)	329°F (165°C)	See page D-9	See page D-9	300°F (149°C)	See page D-9	See page D-9
Pressure/ Temperature Limitations	See page D-9							
Autoclavable	Yes	Yes	Yes	No	Yes	Yes	Yes	Yes
Sealed Option	No	Yes	Yes	Yes	Yes	Yes	No	Yes

# 970 Stainless Steel Manual Bonnet

**P** Resistant to standard washdown protocols, the 970 stainless steel bonnet is the compact, autoclavable solution for Pharmaceutical/ Bioprocessing applications.

Type: 970

Size Range: 0.5–2" (DN15-DN50)

Max Service Pressure:

0.5–1" (DN15-25): 200 psig (13.8 bar)

1.5–2" (DN40-50): 175 psig (12.1 bar)

Max Service Temperature:

See page D-9

Bonnet Material:

316 Stainless Steel

Handwheel Material:

Glass reinforced polyethersulfone (PES)

FDA compliant to 21CFR 177.1660

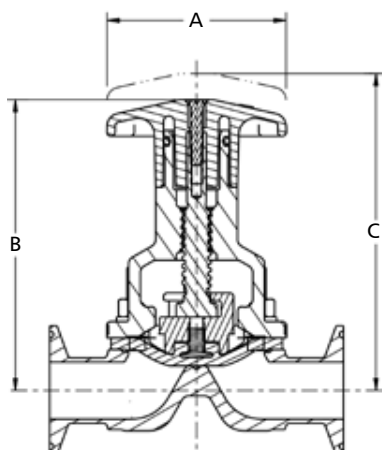
Corrosion Resistance:

Resists alcohol, chloride and most caustic wash-downs. For specific chemical resistance, consult factory.

Standard Features:

- Easy assembly and disassembly
- Rising handwheel
- Adjustable travel stop\*
- Visual position indicator
- O-ring splash seal
- Stainless steel stem
- Bronze compressor/ Stainless Steel Optional

\* Patent # 6,241,213



Valve Size		Bonnet Weight	
Inch	DN	lb.	kg.
0.50	15	0.97	0,44
0.75	20	1.23	0,56
1.00	25	1.67	0,76
1.50	40	5.00	2,27
2.00	50	6.50	2,95

Valve Size		A		B		C	
Inch	DN	Inch	mm	Inch	mm	Inch	mm
0.50	15	2.75	69,9	3.69	93,7	3.90	99,1
0.75	20	2.75	69,9	4.11	104,4	4.32	109,7
1.00	25	2.75	69,9	4.74	120,3	4.95	125,7
1.50	40	5.25	133,3	6.05	153,6	6.53	165,9
2.00	50	5.25	133,3	6.05	153,6	6.53	165,9

Note: Handwheel diameter and assembly heights are from body centerline to top of bonnet assembly.

<sup>1</sup> Tri Clamp, TC x BW, Short Tangent BW

<sup>2</sup> Extended BW Forging

<sup>3</sup> ISO/DIN



ENGINEERED FOR LIFE

ITT Engineered Valves  
33 Centerville Road  
Lancaster, PA 17603, USA  
Tel: +1 (717) 509-2200

**Cam-Line, Cam-Tite, Dia-Flo,  
EnviZion, Pure-Flo, Skotch**

ITT Engineered Valves  
1110 Bankhead Avenue  
Amory, MS 38821, USA  
Tel: +1 (662) 256-7185

**Fabri-Valve**

ITT Industries Ltd.  
Weycroft Avenue,  
Millwey Rise Industrial Estate  
Axminster, EX13 5HU, United Kingdom  
Tel: +44 1297-639100

**EnviZion, Pure-Flo**