

702 703 704

NEO-PINCH VALVES

Fluid is perfectly controlled by the elasticity of a special rubber sleeve.

The valve is opened and closed easily when the powerful special rubber sleeve located inside it is pressed. This is a straight through-type slurry valve of the simplest compact structure.

This valve has an ultra-long life, ensures ease of maintenance with no pressure loss, and is suitable for handling fluids, such as sludge, ore slurry, cement, powder, pulp, and sewer sludge.

The valve perfectly seals off the flow of fluid and is not affected by the penetration of solid matters.

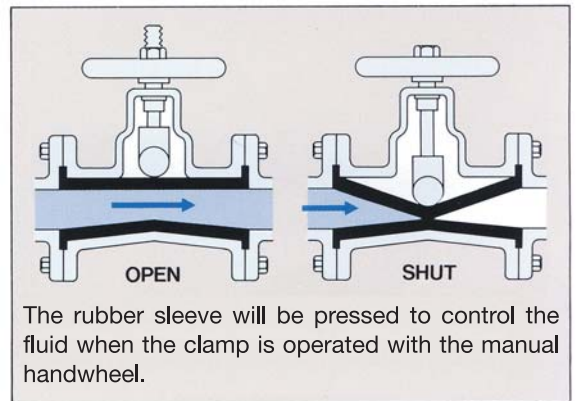
Operation Principles

OKM's Neo Pinch Valves are classified into the 704 and 703 models, which are of air-pressurized operation type, and the 702 model, which is of manual operation type. The respective operation principles of these models are shown below.



702

● Manual (702)

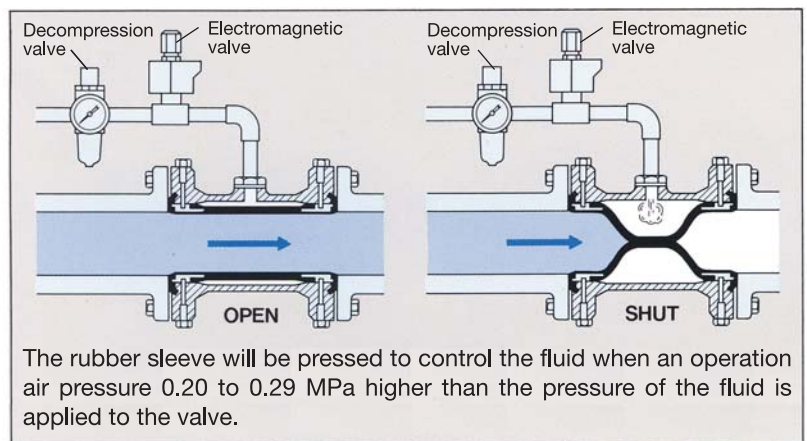


703



704

● Air pressurization (704 / 703)



● Standard Specifications

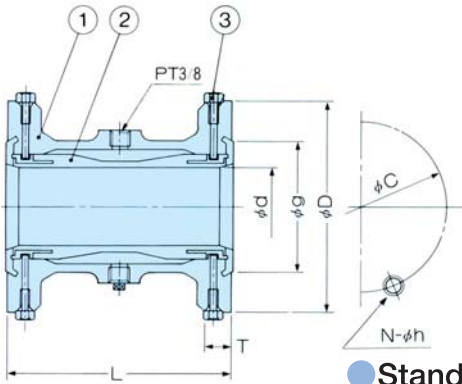
Model	Size(mm)	Max.Service Pressure	Max.Service Temperature	Sleeve Material	Body Material	Face To Face	Action type
704	25 to 100	0.4MPa	-10 to 80°C	CR	FC250	JIS10K	Air pressurization
703	125,150 200	0.3MPa 0.2MPa	-10 to 80°C	CR , NR	FC250	JIS10K	
702	25 to 300	0.5MPa	-10 to 80°C	CR , NR	FC250	JIS10K	Manual*

◆Operating conditions may vary with the fluid specifications. Contact your OKM representative.

*cylinder or motor driving available as well

Fluid under the perfect remote control of air pressurization.

- The 704 and 703 models are compact automatic valves that can be under remote control by mounting an electromagnetic valve and decompression valve to each model provided with air piping. An operation air pressure 0.20 to 0.29 MPa higher than the pressure of the fluid makes it possible to open and close the valve with ease.
- Each valve is operable semipermanently with the rubber sleeve replaced periodically.
- The elasticity of the rubber sleeve will perfectly shut off the fluid if a solid matter is caught by the valve.
- The rubber sleeve made of a special molding compound ensures high durability.



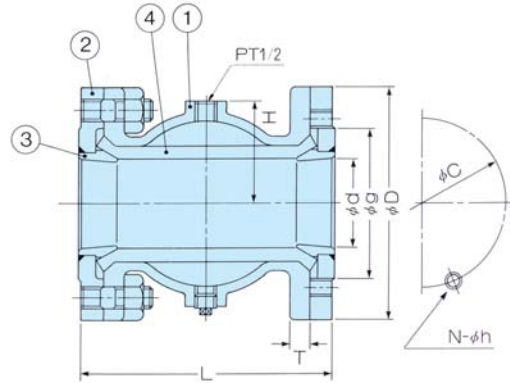
● **Standard Materials**

No.	Part Name	Material
1	Body	FC250
2	Sleeve	CR
3	Stopper Bolt	SUS304

● **Dimensions**

	Nominal Size		d	g	D	L	T	C	N	h	Weight
	inch	mm									
704	1	25	27	63	125	160	18	90	4	M16	4.6
	1½	40	40	75	140	160	20	105	4	M16	5.9
	2	50	50	90	155	170	20	120	4	M16	7.1
	2½	65	65	109	175	185	22	140	4	M16	9.7
	3	80	80	121	185	230	22	150	8	M16	11.8
4	100	98	147	210	285	24	175	8	M16	16.8	

(Size : mm , Weight : kg)



● **Standard Materials**

No.	Part Name	Material
1	Body	FC250
2	Flange	SS400
3	Bushing	SUS304
4	Sleeve	NR · CR

● **Dimensions**

	Nominal Size		d	g	D	L	T	C	N	h	Weight
	inch	mm									
703	5	125	125	185	280	350	24	210	8	M20	54.0
	6	150	150	215	330	420	26	240	8	M20	84.0
	8	200	200	260	400	555	26	290	12	M20	126.0

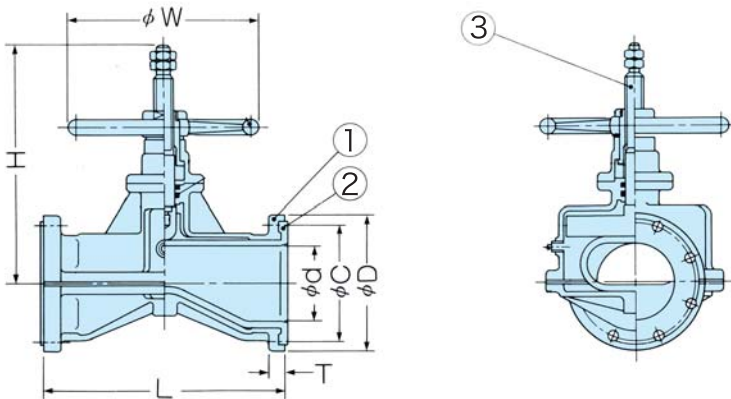
(Size : mm , Weight : kg)

- The 702 model has a rubber sleeve covered with rigid cast iron, thus ensuring high durability.
- The rubber sleeve can be replaced with ease by removing the tightening bolts of the valve body.
- The 702 Series provides two types of models, i.e., the 702-C model, which is driven by an air cylinder, and the 702-M model, which is driven by a motor. Contact your OKM representative for details.

● **Standard Materials**

No.	Part Name	Material
1	Body	FC250
2	Sleeve	NR · C R
3	Stem	SUS403

● **Dimensions**



Nominal Size		702							Weight
inch	mm	L	H	D	C	T	W		
1	25	149	202	125	90	16	160	10	
1½	40	184	247	140	105	18	180	14	
2	50	211	269	155	120	18	180	18	
2½	65	260	324	175	140	18	200	23	
3	80	289	363	185	150	18	224	31	
4	100	338	421	210	175	20	280	41	
5	125	407	465	250	210	22	315	55	
6	150	480	496	280	240	32	400	78	
8	200	655	650	330	290	34	400	140	
10	250	785	846	400	355	34	355	228	
12	300	935	914	445	400	40	355	355	

(Size : mm , Weight : kg)

※ Actuators of 250 to 350mm is Worm-Gear Type