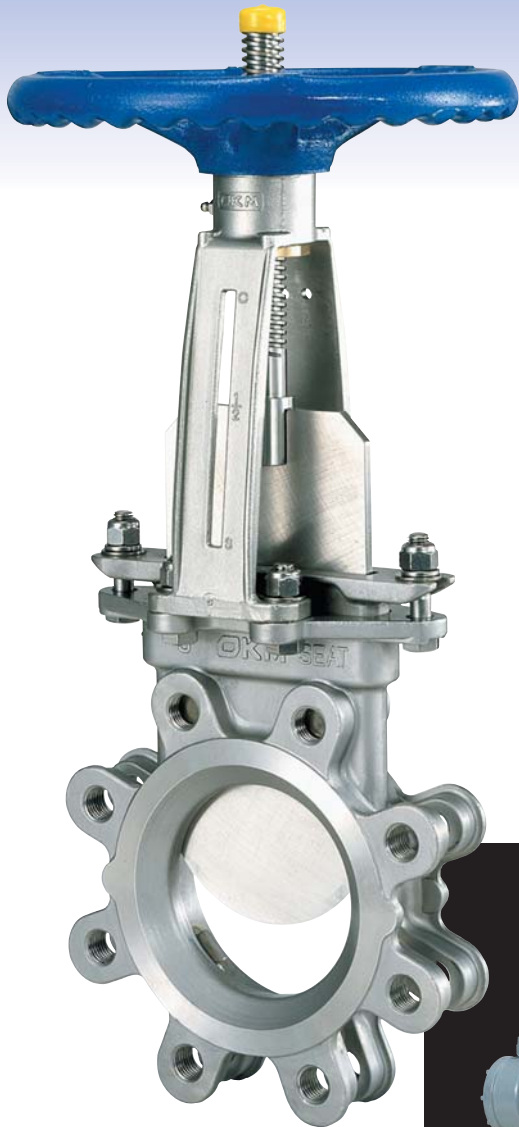


336J 336Y

MULTI-SEATABLE KNIFE GATE VALVES



336J-H
(50 to 300mm)



336J-M

Meeting All Severe Fluid Conditions with multi-Seatable Structure

The knife-gate technology of OKM with 30 years of experience and reliable record has been refined and developed all stainless-steel 336US in order to meet very severe conditions of liquid control. The model 336US has improved over the previous model of 336S and employed a multi-seatable type design so that only the seal ring could be changed which was impossible on 336US. It is ideal for flow control these difficult-to-control liquids such as slurry, pulp, very fine particles with high concentration and viscosity for the industries of pulp, chemical, food, mines, and wastewater treatment. It is a compact & light all stainless-steel knife-gate valve with excellent corrosion & wear resistance for high performance and long service life.

1. All Stainless-Steel Structure with Excellent corrosion and wear resistance.

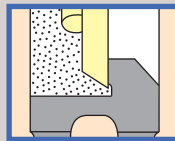
Not only the liquid contact areas but also the rest of the main body of valve are constructed with stainless-steel 316 with excellent corrosion and wear resistance in order to guarantee long service life under severe fluid condition.

2. Stainless-Steel Plate with High Precision Grinding Finish

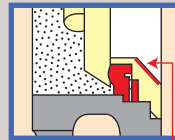
The plate is made out of strong stainless-steel with high precision grinding finish. It has a very high sealing contact with valve seat. Not only very fine particles (powder) but also high concentrate slurry and high viscosity fluids can be shut off sharply to close the valve.

3. Special Seat Structure Multi Seatable

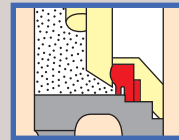
The standard metal seat of stainless-steel and rubber seats or Teflon® seat may be used according to the control conditions of fluid.



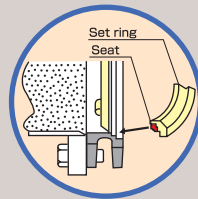
Metal seat
Standard



Rubber seat
Multi Seatable



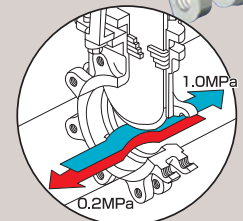
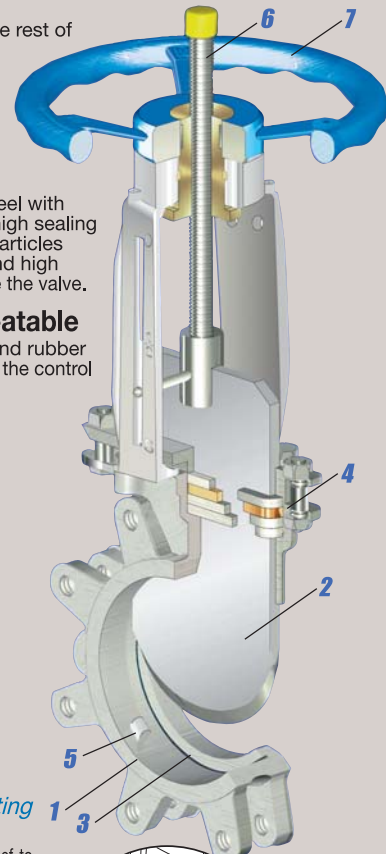
Teflon® seat
Multi Seatable



Set ring
Seat

Valve Seat of Preventing Choking Mechanism

The seat is provided with a relief to prevent choking so that slurry fluid can be prevented from choking. The flow direction is specified depending on the type of fluid. The taper angle of inlet bore for very fine particles is less than 45° for reliability.



4. Multi-Layer Gland Packing with Good sealing

The gland is held firmly by the gland box of main body. The gland has a multi-layer structure with Teflon impregnated silicon rubber for excellent chemical resistance in order to assure high sealing performance. Maintenance is also easy.

5. Original Jaws to Guarantee Close Contact Seal

Two jaws are used on the valve seat. The tip of knife-shaped plate makes contact with the jaws to push the plate against the seal to ensure close contact. Sealing efficiency is further improved by this.

6. Double Thread for Faster Operation

Fast handle operation due to compact & light structure is realized. Because of double-thread mechanism of stem, the speed of handle operation is increased.

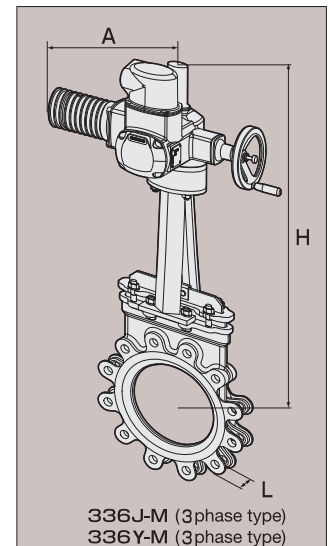
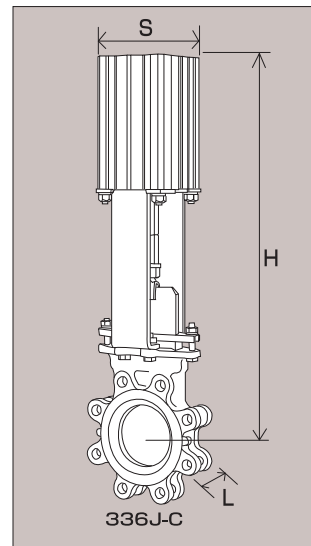
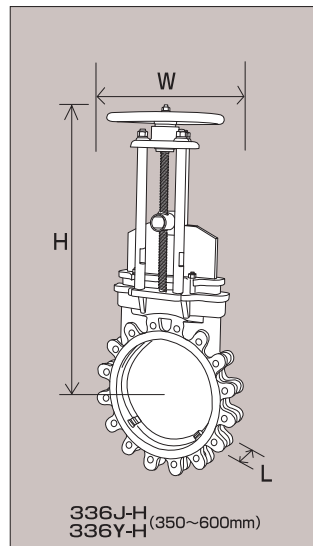
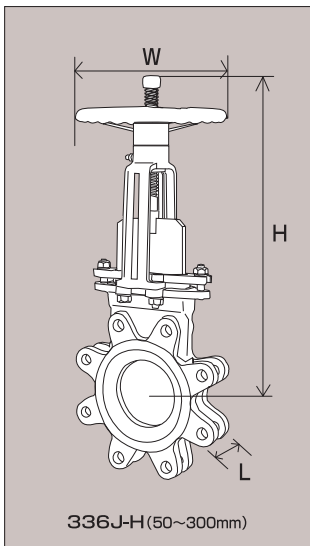
7. Low-Torque Circular Hand Wheel

Designed to reduce friction on sliding surfaces. It is shaped for easy gripping & handling with light torque. The outer circumference is wave-shaped to stop slipping of hand.

Capabilities and materials to withstand wide variations of use

Dimensions

*Shapes vary according to sizes.



Pressure (MPa)	336J-H		336Y-H		336J-C		336Y-C		336J-M		336Y-M		L									
	0~0.5		0~1.0		0~1.0		0~0.5		0~1.0		0~1.0											
	H	W	H	W	H	S	H	S	H	A	H	A										
Nominal Size	inch	mm																				
2	50	—	—	293	200	—	—	425	98	425	98	—	—	618	267	561	514	561	514	—	—	48
2 1/2	65	—	—	322	200	—	—	456	98	469	117	—	—	645	267	590	514	590	514	—	—	48
3	80	—	—	334	200	—	—	492	98	506	117	—	—	661	267	604	514	604	514	—	—	51
4	100	—	—	364	200	—	—	574	117	588	142	—	—	692	267	635	514	635	514	—	—	51
5	125	—	—	450	280	—	—	657	117	671	142	—	—	754	267	398	514	698	514	—	—	57
6	150	—	—	497	280	—	—	745	142	758	178	—	—	994	298	746	514	746	514	—	—	57
8	200	—	—	591	280	—	—	877	178	899	204	—	—	1088	298	839	514	839	514	—	—	70
10	250	—	—	701	355	—	—	1096	204	1149	274	—	—	1418	370	1018	538	1018	538	—	—	70
12	300	—	—	815	400	—	—	1201	226	1288	274	—	—	1516	370	1120	538	1164	732	—	—	76
14	350	950	400	—	—	960	400	1392	274	—	—	1477	404	1591	370	1298	538	—	—	1249	732	76
16	400	1071	500	—	—	1071	500	1540	274	—	—	1634	468	—	—	1442	732	—	—	1442	734	89
18	450	1161	560	—	—	1162	560	1732	404	—	—	1795	522	—	—	1526	732	—	—	1526	734	89
20	500	1312	630	—	—	1312	630	1906	404	—	—	1999	586	—	—	1743	734	—	—	1743	734	114
22	550	1411	630	—	—	1411	630	2073	468	—	—	2094	586	—	—	1919	734	—	—	1898	799	114
24	600	1514	710	—	—	1514	710	2203	468	—	—	2300	640	—	—	2009	734	—	—	1988	799	114

(Size : mm , Weight : kg)

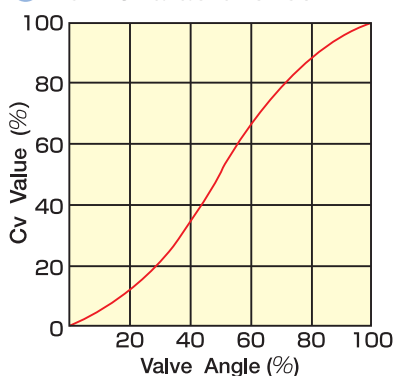
Standard specifications

Model	Range of nominal dia. of valve	Applicable flange	Test pressure		Max. pressure	Material			Max. temperature	Leak rate from seat W.T.P 0.3MPa
			Body	Seat		Body	Plate	Seat ring		
336J Standard	50 to 300mm	JIS 5K 10K ASME 125/150Lb	WTP 1.1 MPa	WTP 0.28 MPa	1.0 MPa	50 to 300 SCS 13A SCS 14A	50 to 300 SUS 304 SUS 316	metal**	230°C	40cc/min/in. For cylinder type 400cc/min/in.
	350 to 600mm		WTP 0.55 MPa	WTP 0.28 MPa	0.5 MPa	350 to 600 SCS 13	350 to 600 SUS 304	(CR) (EPDM)	(80°C) (100°C)	0cc/min/in.
336Y Semi-Standard	350 to 600mm		WTP 1.1 MPa	WTP 0.28 MPa	1.0 MPa			(PTFE)	(230°C)	4cc/min/in.

Leak rate from seat is for flow from primary side.

*Inside () indicates standard specifications.
3phase type is also available. Please contact us for the details.
Please ask for the details.
**The same material as the body.

Flow Characteristics



Cv Values with Valve Fully Open

Size (mm)	Full open Cv Value 90°C	Size (mm)	Full open Cv Value 90°C
50	156	300	5395
65	230	350	6730
80	340	400	8735
100	612	450	10870
125	970	500	14095
150	1430	550	17335
200	2620	600	20655
250	4230		

Teflon® is manufactured by Mitsui-Dupont Fluoro Chemical.