



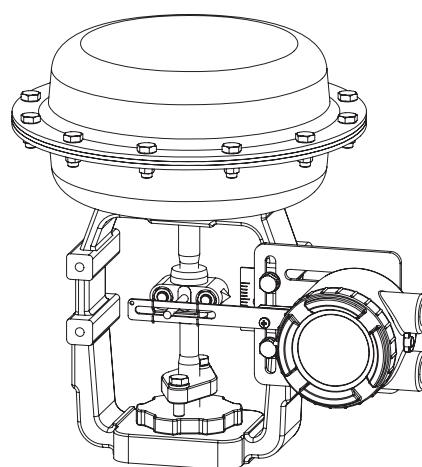
**Explosion proof position transmitter for reliable valve position feedback with 4-20mA output signal**

### Features

- ▶ Rugged aluminum die-cast housing
- ▶ Optional 2 x SPDT limit switch or 2 x P&F proximity sensor NJ2-V3-N

### Specifications

Model	PTP-L	PTP-R
Current Output Signal	4 - 20 mA, 2-wire	
Power Supply Range	12 - 30 VDC (24VDC recommendable)	
Span Adjustable Angle	10° - 45°	0° - 90°
Linearity	Within ± 1.0% F.S.	
Repeatability	Within ± 0.25% F.S.	
Hysteresis	Within 1.0% F.S.	
Operating Ambient Temperature	- 30 °C ~ +75 °C	
Explosion Proof Class	Ex d IIC T6	
Protection Class	IP66	
Electrical Connections	PF(G) 1/2 or NPT 1/2	
Weight	0.9 kg	

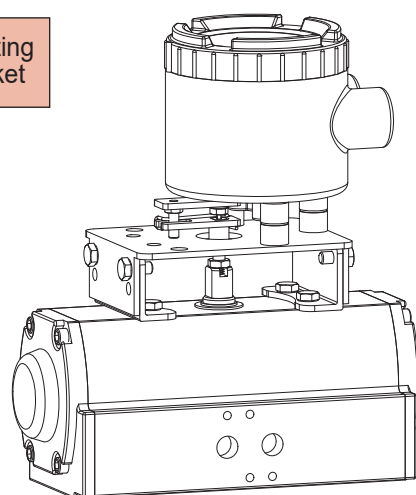


**PTP-L Mounting to Globe Control Valve**

### How to Order



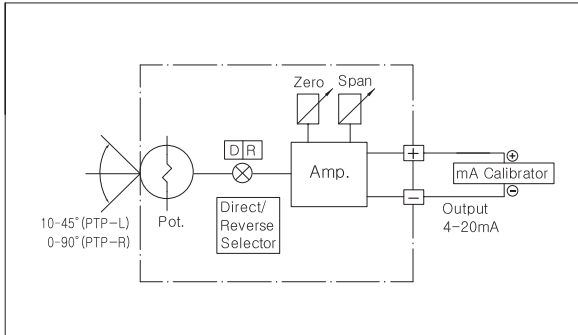
Description	Code
<b>Actuator Operation :</b>	L : Linear type R : Rotary type M : Other type (on request)
<b>Limit Switches :</b>	N : None S : 2 x SPDT mechanical limit switch P : 2 x P&F proximity sensor NJ2-V3-N
<b>Electrical Connections :</b>	1 : PF(G) 1/2 2 : NPT 1/2
<b>Feedback Lever : (only for linear type)</b>	A : Stroke 10-40mm B : Stroke 10-80mm C : Stroke 80-150mm
<b>Mounting Bracket :</b>	N : None L : IEC 60534-6-1 (for PTP-L) R : IEC 60534-6-2 (for PTP-R) VDI/VDE 3845 S : Special Bracket (on request)



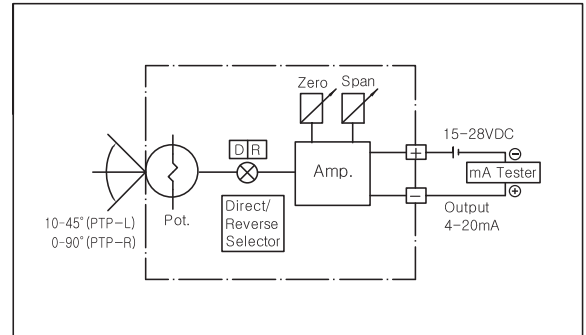
**PTP-R Mounting to Pneumatic Rotary Actuator**

## Measuring 4–20mA Output Signal

1) with mA calibrator

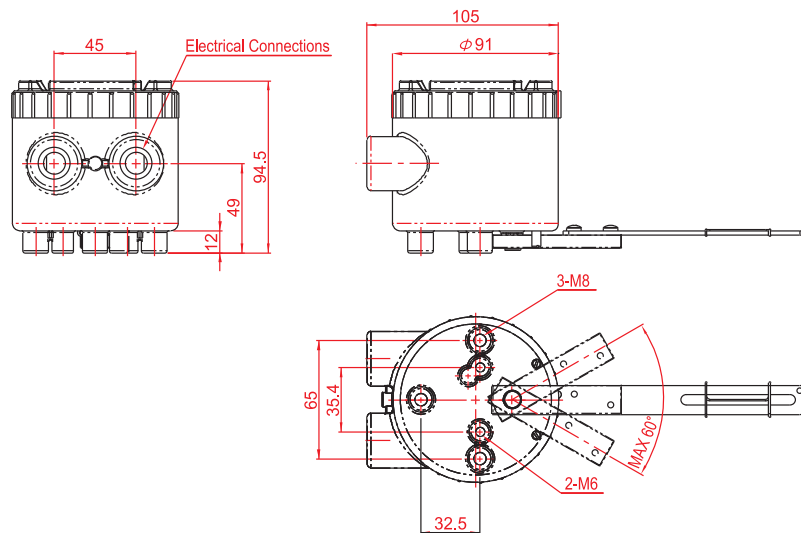


2) with multimeter



## Dimensions

### PTP-L (linear type)



### PTP-R (rotary type)

