

- Face to Face Dimensions: JIS B2002 10K.
- End Flanged Dimensions: JIS B2239.
- Blow-Out proof Stem / Full Port.
- Lever Operated or Gear Operated.
- Gland type (BV-13F) / ISO5211 Mounting Pad (WCB/SS)
- PTFE +15%GF or +25%GF for Seat when required.

Test Pressure: JIS B2003

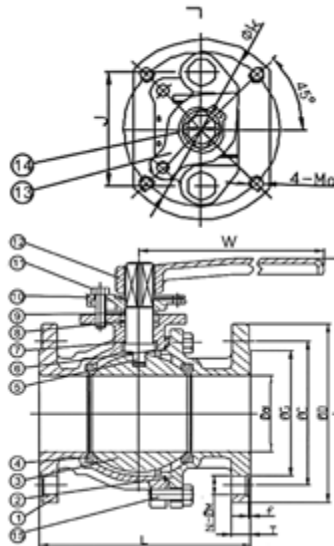
Body : 2.1MPa / 21.5 kg/cm² (Hydrostatic)
 Seat : 1.6MPa / 16.5 kg/cm² (By Water)
 0.6MPa / 6 kg/cm² (By Air)

Dimension * Design: ANSI 16.34

Size	inch	1/2	3/4	1	1.1/4	1.1/2	2	2.1/2	3	4	5	6	8	10
	mm	15	20	25	32	40	50	65	80	100	125	150	200	250
Bore Size d		15	20	25	32	40	50	65	80	100	125	150	200	250
C		70	75	90	100	105	120	140	150	175	210	240	290	355
D		95	100	125	135	140	155	175	185	210	250	280	330	400
L		108	117	130/127	140	165	178	190	203	229	300	340	450	533
W		143	143	143	143	220	220	335	335	335	410	540	540	860
Torque kgf/m		3	3	3	4	4	4	6	6	9	15	25	50	80

Model	BV-13F	BV-17F	BV-34F	BV-36F
Body	FC 20	WCB	SCS13	SCS14
Cap	FC 20	WCB	SCS13	SCS14
Ball	CF8	CF8	CF8	CF8M
Seat	PTFE	PTFE	PTFE	PTFE
Stem	CF8	CF8	CF8	CF8M
Gasket	PTFE			
Thrust Washer	PTFE			
Packing	PTFE			
Stem Packing	PTFE			
Gland	FC 20	ASTM A351 CF8		
Gland Bolt	S41C	SUS304		
Handle	FC 20			
Stopper	S41C	SS304		
Snap Ring	SK5			
Bolt	S41C	SUS304		

2-PC BALL VALVE FLANGED END TO ANSI CLASS 150



- Face to Face Flanged acc. To ANSI B16.10
- End Flanged acc. To ANSI B16.5
- Blow-Out proof Stem / Full Port.
- Lever Operated (15mm to 250mm).
- Gear Operated (Option) (300mm to 350mm).

Test Pressure: API 598

Body : 450 PSI / 32 kg/cm² (Hydrostatic)
 Seat : 315 PSI / 22 kg/cm² (By Water).
 85 PSI / 6 kg/cm² (By Air)

Dimension * Design: ANSI 16.34

Size	inch	1/2	3/4	1	1.1/4	1.1/2	2	2.1/2	3	4	5	6	8	10	12
	mm	15	20	25	32	40	50	65	80	100	125	150	200	250	300
Bore Size d		15	20	25	32	40	50	65	80	100	125	150	200	250	300
C		60.5	70	79.5	89	98.5	120.5	139.5	152.5	190.5	216	241.5	298.4	361.9	432
D		89	98	108	117	127	152	178	190	229	254	279	343	406	483
L		108	117	127	140	165	178	190	203	229	356	394	457	533	610
W		143	143	143	143	220	220	335	335	335	410	540	540	860	860
Torque kgf/m		3	3	3	4	4	4	6	6	9	15	25	50	80	160

Model	BV-23F	BV-27F	BV-44F	BV-46F
Body	FC 20	WCB	CF8	CF8M
Cap	FC 20	WCB	CF8	CF8M
Ball	CF8	CF8	CF8	CF8M
Seat	PTFE	PTFE	PTFE	PTFE
Stem	CF8	CF8	CF8	CF8M
Gasket	PTFE			
Thrust Washer	PTFE			
Packing	PTFE			
Stem Packing	PTFE			
Gland	FC 20	ASTM A351 CF8		
Gland Bolt	S41C	SUS304		
Handle	FC 20			
Stopper	S41C	SUS304		
Snap Ring	SK5	SUS304		
Bolt	S41C	SUS304		