

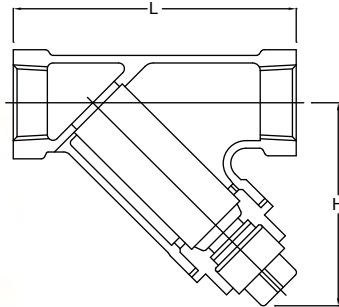
- \* Please name the model No. ( YS-BC6 ) when negotiation.
- \* Y-Pattern body, Screwed cap, Stainless Steel 304 screen.
- \* The available Thread: BS21 or ANSI B2.1

**Working Pressure**

300 psi. W.O.G. non-shock  
150 psi. S.P. saturated

**Hydrostatic Test Pressure**

Shell 450 psi.



**Dimension**

Size	mm								
	inch	1/2	3/4	1	1.1/4	1.1/2	2	2.1/2	3
	mm	15	20	25	32	40	50	60	80
L End to end		80	100	115	135	160	190	230	264
H Height		59	67	85	95	105	133	142	165

**Material**

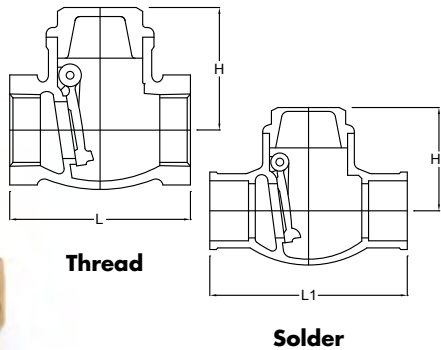
Model	YS-BC6
Body	BRONZE
Body Cap	BRONZE
Gasket	ASBESTOS
Screen	SUS 304. 20 mesh

## BRONZE / BRASS SWING CHECK VALVE CLASS 300/150

- \* Please name the model No. when negotiation.
- \* Screwed cap, Swing type disc, Integral seat.
- \* Threaded ends to BS21 or ANSI B2.1, or solder joint ends.

**Working Pressure**

Bronze 300 psi  
Brass 150 psi



**Dimension**

Size	mm									
	inch	1/2	3/4	1	1.1/4	1.1/2	2	2.1/2	3	4
	mm	15	20	25	32	40	50	65	80	100
D Bore Size		13	19	25	31	37	49	62	75	98
L End To End		54	61	70	82	92	108	137	150	180
H Height (Open)		37	41	46.5	57	61.5	69	86	92	110
D1 Bore Size		13	19	25	31	37	49			
L1 Solder End To End		65	80	97	109	126	145			
H1 Height (Open)		37	40	46	57	63	72			
Packing (Pcs/Per Box)		120	80	60	40	30	24	15	10	6

**Material**

Model	BG-T25	BG-T26
Body	BRONZE	BRASS
Cover	BRONZE	BRASS
Disc	BRONZE	BRASS
Pin	BRASS ROD	BRASS ROD
Bolt	BRASS ROD	BRASS ROD