

\* Connecting threads screwed ends to BS21 basically, ANSI B2.1 and DIN 259 are available when required.  
 \* Pressure Temperature Ratios 600 PSI, WSP/350°F.

**Hydrostatic Test Pressure**

Shell 21 kg/cm<sup>2</sup>  
 Seat 6 kg/cm<sup>2</sup> (AIR)

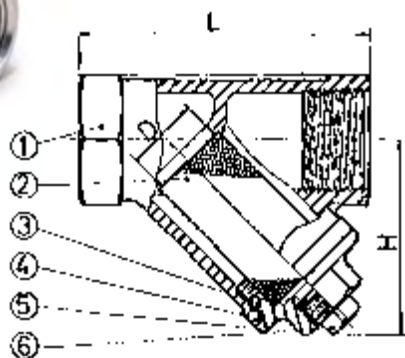
**Dimension**

Size	inch	1/4	3/8	1/2	3/4	1	1.1/4	1.1/2	2	2.1/2	3
	mm	8	10	15	20	25	32	40	50	65	80
<b>L</b>		57	57	61	70	86	100	111	138	175	196
<b>H</b>		30	30	34	39	42	50	57	70	110	130
<b>D</b>		10	10	15	20	25	32	40	50	65	80
<b>Weight/kgs</b>		0.25	0.25	0.25	0.4	0.6	0.85	1.1	1.6	3.8	5.5

**Material**

	Model	YC-316
1	Body	CF8M
2	Cap	CF8M
3	Disc Bonnet	CF8M
4	Spring	SUP 3
5	Disc Washer	AISI 316
6	Nut (Bolt)	AISI 304
7	Disc	TEFLON
8	Gasket	TEFLON

**STAINLESS STEEL Y-STRAINER CLASS 600**



\* Connecting threads screwed ends to BS21 basically, ANSI B2.1 and DIN 259 are available when required.  
 \* Pressure Temperature Ratios 600 PSI, WSP/350°F.

**Hydrostatic Test Pressure**

Shell 21 kg/cm<sup>2</sup>  
 Seat 6 kg/cm<sup>2</sup> (AIR)

**Dimension**

Size	inch	1/4	3/8	1/2	3/4	1	1.1/4	1.1/2	2	2.1/2	3
	mm	8	10	15	20	25	32	40	50	65	80
<b>L</b>		57	57	61	70	86	100	111	138	175	190
<b>H</b>		32	32	37	41	47	54	62	76	110	130
<b>D</b>		10	10	15	20	25	32	38	51	65	80
<b>Weight/kgs</b>		0.25	0.25	0.28	0.4	0.6	0.9	1.15	1.65	3.6	5.0

**Material**

	Model	YS-R6S	YS-R4S
1	Body	CF8M	AISI 304
2	Screen	AISI 316	AISI 304
3	Cap	CF8M	AISI 304
4	Gasket	TEFLON	TEFLON
5	Packing	TEFLON	TEFLON
6	Plug	CF8M	AISI 304