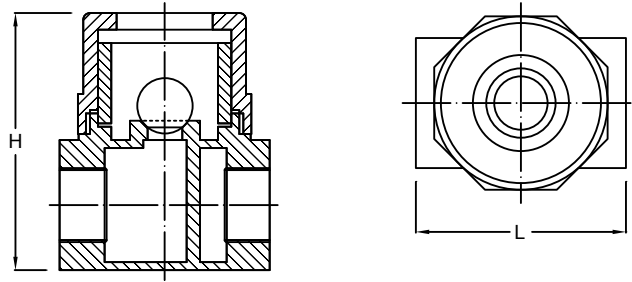




CAST IRON SIGHT GLASS

ISO 9001



- Please name the model No. (SK-T8) when negotiation.
- Thread ends to BS21 or ANSI B2.1
- Usage Scope: Steam, General Liquid.

Working Pressure : 0.35 ~ 7 kg/cm²

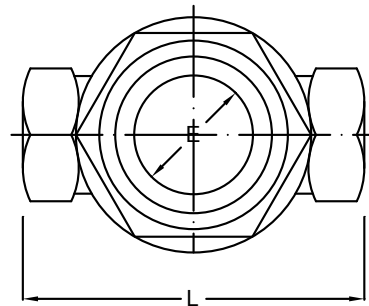
Working Temp. : 220°C

Dimension		mm					
Size	inch	1/2	3/4	1	1.1/4	1.1/2	2
	mm	15	20	25	32	40	50
L		76	76	80	122	122	126
H		92	92	98	116	116	128

Material

Model	SK-T8
Body	CAST IRON
Main Part	TEFLON

CAST IRON SIGHT GLASS (MINIATURE TYPE)



- Please name the model No. (SK-T6) when negotiation.
- Thread ends to BS21 or ANSI B2.1
- Usage Scope: Steam, General Liquid.

Working Pressure 0.35 ~ 7 kg/cm²

Working Temp. 220°C

Dimension		mm					
Size	inch	1/2	3/4	1	1.1/4	1.1/2	2
	mm	15	20	25	32	40	50
L		75	90	90	120	120	140
E		22	30	30	42	42	53

Material

Model	SK-T6
Body	CAST IRON